

Model 127-9 ▲

The Model 127-9 is specifically designed for fuel loading systems and performs the following functions:

- ▶ Pressure reducing - valve will control downstream (delivery) pressure at a pre-determined point
- ▶ Two-stage shutdown

SERIES FEATURES

- ▶ Opens on signal from preset register
- ▶ Controls downstream pressure (adjustable)
- ▶ Closes in two stages based on signals from preset register
- ▶ Can be maintained without removal from the line
- ▶ Factory tested and can be pre-set to your requirements
- ▶ Explosion-proof prewired junction box available
- ▶ Two stage opening available via timer

OPERATION

(Refer to wiring diagram)
On start-up, SW1 energizes the normally closed solenoid, allowing the valve to open. While open, the pressure reducing pilot, sensing the downstream pressure, will modulate the valve as necessary to keep delivery pressure constant. At a predetermined number of gallons prior to the end of the loading run, SW1 switches back to remove power from the normally closed solenoid and to make power available to the limit switch. The valve starts closed. At the low flow position, the limit switch closes and energizes the normally open solenoid. This "hydraulically locks" the valve in the low flow position. At the conclusion of the load, SW2 switches back, de-energizing the normally open solenoid and the valve closes fully.

COMPONENTS

The Model 127-9 consists of the following components, arranged as shown on the schematic diagram:

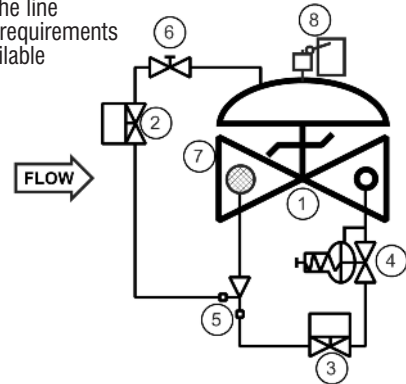
- 1.) Model 65 Basic Control Valve (Fail Closed)
- 2.) Model 450 Two-Way Solenoid Pilot
- 3.) Model 451 Two-Way Solenoid Pilot
- 4.) Model 1340 Pressure Reducing Pilot
- 5.) Model 126 Ejector
- 6.) Model 141-2* Needle Valve
- *NOTE: Model 141-2 Needle Valve used on sizes 1-1/4"-3"
- 7.) Model 123 Inline Strainer
- 8.) Limit Switch

SIZING

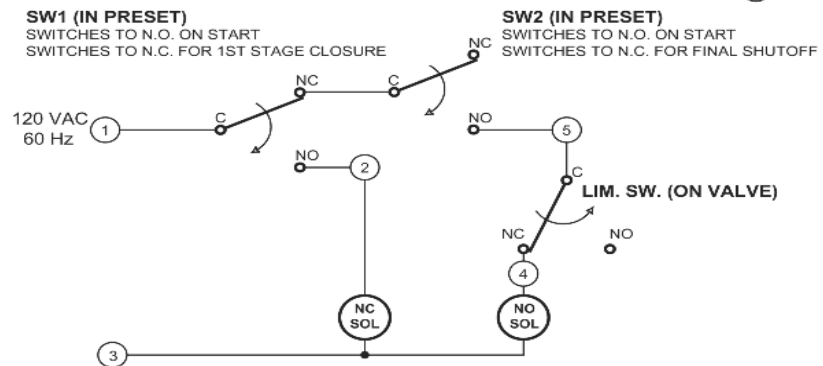
The 127-9 valve is normally sized to match the meter size; however, in no case should the maximum velocity exceed 20 ft/sec, as shown below.

SIZE	1 1/4", 1 1/2"	2"	2 1/2"	3"	4"	6"	8"	10"	12"	14"	16"	24"
MAX. FLOW, GPM	120	200	280	460	800	1800	3000	4200	6000	7200	9600	28000

SCHEMATIC



WIRING DIAGRAM



RECOMMENDED INSTALLATION

- ▶ Install the valve at the appropriate location, typically downstream of the preset meter.
- ▶ Install the valve with adequate space above and around the valve to facilitate servicing. Refer to the Dimension Table.
- ▶ Valve should be installed with the bonnet (cover) at the top, particularly 8" and larger valves.
- ▶ Shut-off valves should be installed upstream and downstream of the control valve. These are used to isolate the valve during start-up and maintenance.
- ▶ Install a pressure gauge downstream of the valve to enable adjustment to the required pressure setting. This gauge may be installed in the downstream side port of the valve body.
- ▶ Following main valve installation, the solenoids and limit switch must be wired into the preset register, as shown in the wiring diagram.

MAX. PRESSURE

END CONNECTIONS	DUCTILE IRON	STEEL/STN STL	ALUMINUM
Threaded	640 psi	640 psi	285 psi
Grooved	300 psi	300 psi	200 psi
150# Flanged	250 psi	285 psi	285 psi
300# Flanged	640 psi	740 psi	---

TOLL FREE 1.888.628.8258 • phone: (918)627.1942 • fax: (918)622.8916 • 7400 East 42nd Place, Tulsa, OK 74145
email: sales@controlvalves.com • website: www.controlvalves.com

Model 127-9 (Fueling Service)



SIZES

GLOBE/ANGLE

Screwed Ends	1 1/4" - 3"
Grooved Ends	1 1/2" - 6"
Flanged Ends	1 1/4" - 24" (globe); 1 1/4" - 16" (angle)

TEMPERATURE RANGE

(Valve Elastomers)

Buna-N -40° F - 180°F, Viton 0° F - 400°F

SPRING RANGES (outlet setting)

5-30 psi, 20-80 psi, 65-180 psi, 100-300 psi

MATERIALS

Consult factory for others.

Body/Bonnet: Ductile Iron (epoxy coated), Carbon Steel (epoxy coated), Stainless Steel, Aluminum

Seat Ring: Stainless Steel, Bronze

Stem: Stainless Steel, Monel

Spring: Stainless Steel

Diaphragm: Buna-N, Viton, (Nylon reinforced)

Seat Disc: Buna-N, Viton

Pilot: Stainless Steel, Bronze

Other pilot system components:

Stainless Steel, Bronze/Brass

Tubing & Fittings: Stainless Steel, Copper/Brass

SOLENOID

Enclosure: Explosion Proof NEMA 4X, 6P, 7, 9

Body: Stainless Steel, Brass

Voltages: 24, 120, 240, 480 VAC

12, 24 VDC

Note: Working pressures of solenoids vary greatly, consult factory on application of OCV Model 127-9 valves.

SPECIFICATIONS (Typical Fuel Application)

The two-stage preset valve shall open in one stage and close in two stages based on signals from the preset register. While open, the valve shall control the downstream pressure to the adjustable setpoint, regardless of fluctuations in upstream pressure.

DESIGN

The two-stage preset valve shall be a single-seated, line pressure operated, diaphragm actuated, pilot controlled globe valve. The valve shall seal by means of a corrosion-resistant seat and a resilient, rectangular seat disc. These, and other parts, shall be replaceable without removing the valve from the line. The stem of the main valve shall be guided top and bottom by integral bushings. Alignment of the body, bonnet and diaphragm assembly shall be by precision dowel pins. The diaphragm shall not be used as a seating surface, nor shall the pistons be used as an operating means. The orifice plate shall be integrally-installed in the valve inlet flange. The pilot system shall be furnished complete and installed on the main valve. It shall include two solenoid pilots, a needle valve and an inline strainer. The two-stage preset valve shall be operationally and hydrostatically tested prior to shipment.

MATERIALS OF CONSTRUCTION

The main valve body and bonnet shall be ductile iron per ASTM A536, Grade 65-45-12. All ferrous surfaces shall be coated with 4 mils of epoxy. The main valve seat ring shall be CF8M stainless steel. Elastomers (diaphragms, resilient seats and O-rings) shall be Buna-N. The control and solenoid pilots shall be stainless steel, as shall the needle valve and control line tubing. The solenoid and limit switch enclosures shall be explosion-proof and suitable for operation on <voltage>.

OPERATING CONDITIONS

The two-stage preset valve shall be suitable for controlling the downstream pressure at <X> psi at flow rates up to <X> gpm.

ACCEPTABLE PRODUCTS

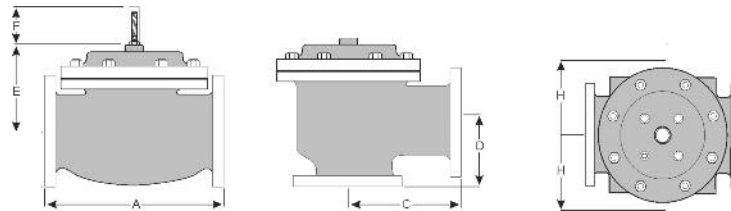
The two-stage preset valve shall be a <size> Model 127-9, <globe pattern, angle pattern>, with <150# flanged, 300# flanged> end connections, as manufactured by OCV Control Valves, Tulsa, Oklahoma, USA.

U.S. DIMENSIONS - INCHES

DIM	END CONN.	1 1/4-1 1/2	2	2 1/2	3	4	6	8	10	12	14	16	24
A	SCREWED	8 3/4	9 7/8	10 1/2	13	--	--	--	--	--	--	--	--
	GROOVED	8 3/4	9 7/8	10 1/2	13	15 1/4	20	--	--	--	--	--	--
	150# FLGD	8 1/2	9 3/8	10 1/2	12	15	17 3/4	25 3/8	29 3/4	34	39	40 3/8	62
	300# FLGD	8 3/4	9 7/8	11 1/8	12 3/4	15 5/8	18 5/8	26 3/8	31 1/8	35 1/2	40 1/2	42	63 3/4
C ANGLE	SCREWED	4 3/8	4 3/4	6	6 1/2	--	--	--	--	--	--	--	--
	GROOVED	4 3/8*	4 3/4	6	6 1/2	7 5/8	--	--	--	--	--	--	--
	150# FLGD	4 1/4	4 3/4	6	6	7 1/2	10	12 11/16	14 7/8	17	--	20 13/16	--
	300# FLGD	4 3/8	5	6 3/8	6 3/8	7 13/16	10 1/2	13 3/16	15 9/16	17 3/4	--	21 5/8	--
D	SCREWED	3 1/8	3 7/8	4	4 1/2	--	--	--	--	--	--	--	--
	GROOVED	3 1/8*	3 7/8	4	4 1/2	5 5/8	--	--	--	--	--	--	--
ANGLE	150# FLGD	3	3 7/8	4	4	5 1/2	6	8	11 3/8	11	--	15 11/16	--
	300# FLGD	3 1/8	4 1/8	4 3/8	4 3/8	5 13/16	6 1/2	8 1/2	12 1/16	11 3/4	--	16 1/2	--
E	ALL	6	6	7	6 1/2	8	10	11 7/8	15 3/8	17	18	19	27
F (OPT)	ALL	3 7/8	3 7/8	3 7/8	3 7/8	3 7/8	3 7/8	6 3/8	6 3/8	6 3/8	6 3/8	6 3/8	8
H	ALL	10	11	11	11	12	13	14	17	18	20	20	28 1/2

*GROOVED END NOT AVAILABLE IN 1 1/4"

For maximum efficiency, the OCV control valve should be mounted in a piping system so that the valve bonnet (cover) is in the top position. Other positions are acceptable but may not allow the valve to function to its fullest and safest potential. In particular, please consult the factory before installing 8" and larger valves, or any valves with a limit switch, in positions other than described. Space should be taken into consideration when mounting valves and their pilot systems.



QUALITY SYSTEM
REGISTERED TO
ISO 9001

A routine inspection & maintenance program should be established and conducted yearly by a qualified technician. Consult our factory @ 1-888-628-8258 for parts and service.

How to order your Model 127-9 valve

When ordering please provide:

Fluid to be controlled - Model Number - Size - Globe or Angle - End Connection - Body Material - Trim Material - Downstream pressure setting or range - Solenoid Voltage - Special Requirements / Installation Requirements

Represented by:

TOLL FREE 1.888.628.8258 • phone: (918)627.1942 • fax: (918)622.8916 • 7400 East 42nd Place, Tulsa, Oklahoma 74145
email: sales@controlvalves.com • website: www.controlvalves.com