

Model 127FAV ▲

The model 127FAV has a wide range of applications anywhere it is necessary to open and close a valve automatically while controlling flow rate. The 127FAV combines flow control capability with programmable predetermined time intervals without the use of external electric power. Typical examples include:

- Automated line flushing with Rate of Flow Control
- Un-manned dead end flushing
- Potable water tank refreshing

SERIES FEATURES

- ▶ Model 1340 Pilot gives user a wide range of adjustable flow capabilities
- ▶ Flow Rate read-out gauge in GPM - 0-200GPM
- ▶ Excellent for remote systems where power is unavailable (self contained and portable)
- ▶ Manual on/off
- ▶ Programmable
 - Valve operating time from 1 min to 12 hours per day
 - 6 different operational programs per day up to 7 days a week
 - Programmable rain delay for 1 to 99 days (shut down for winter, December... etc)
- ▶ Powered by lithium ion technology good for 10 years
- ▶ LCD display with clock and low battery indicator and rain delay as programmed
- ▶ External rain sensor option available (for fixed locations)

OPERATION

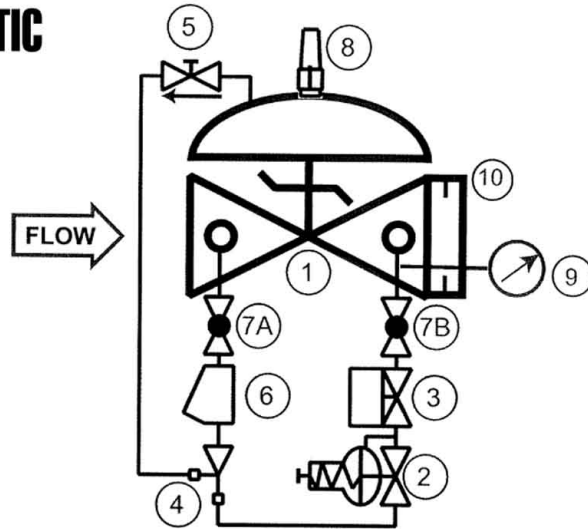
A programmable self powered solenoid, when closed, causes the main valve to close. When given the command to open the solenoid allows the model 1340 to modulate the valve and control the flow rate. The pilot system is equipped with a needle valve that allows the opening and closing speed of the valve to be adjusted.

COMPONENTS

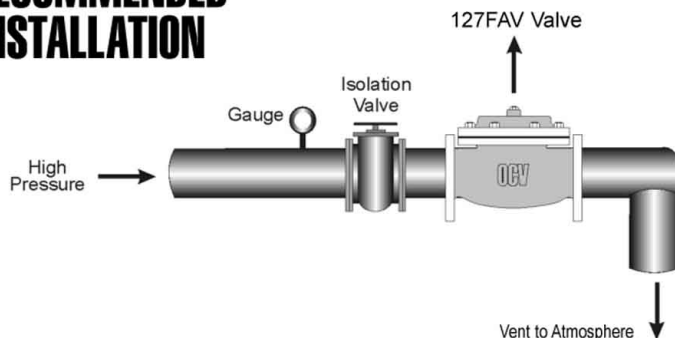
The Model 127FAV consists of the following components, arranged as shown on the schematic diagram:

- 1.) Model 65 Basic Control Valve
- 2.) Model 1340 Normally Open Programmable Solenoid
- 3.) Battery Operated Two-way Programmable Solenoid
- 4.) Model 126 Ejector
- 5.) Model 141-3 Flow Control Valve Opening Speed Control
- 6.) Model 159 Y-Strainer Protects pilot system from dirt/debris
- 7.) Model 141- 4 Isolation Ball Valves
- 8.) Model 155 Visual Indicator (Optional)
- 9.) Flow Rate Gauge (GPM Only)
- 10.) Orifice Assembly

SCHEMATIC



RECOMMENDED INSTALLATION



SIZES

GLOBE/ANGLE

Screwed Ends - 2"

FLOW RANGE 0-200 GPM

TEMPERATURE RANGE

Solenoid limited to 32° F - 140° F

(Valve Elastomers)

Buna-N -40° F - 180°F

MATERIALS - Consult factory for others.

Body/Bonnet: Ductile Iron (epoxy coated)

Seat Ring: Bronze, Stainless Steel

Stem: Stainless Steel

Spring: Stainless Steel

Diaphragm: Nylon Reinforced, Buna-N, EPDM

Seat Disc: Buna-N, EPDM

Pilot: Bronze, Stainless Steel

Other pilot system components:

Bronze/Brass, All Stainless Steel

Tubing & Fittings:

Copper/Brass, Stainless Steel

Solenoid:

Enclosure: Weatherproof / Submersible to 6 ft

Body: ABS / Nylon

Voltages: NA

SPECIFICATIONS (Typical Water Application)

The solenoid shut-off valve shall open and close via programmable time. The valve shall be equipped with a programmable two-way solenoid valve that will allow the model 1340 to regulate the valve flow when programmed to energize.

DESIGN

The solenoid controlled, flow valve shall be single seated, line pressure operated, diaphragm actuated, pilot controlled globe valve. The valve shall seal by means of a corrosion-resistant seat and a resilient, rectangular seat disc. These, and other parts, shall be replaceable without removing the valve from the line. The stem of the main valve shall be guided top and bottom by integral bushings. Alignment of the body, bonnet and diaphragm assembly shall be by precision dowel pins. The diaphragm shall not be used as a seating surface, nor shall the pistons be used as an operating means. The pilot system shall be furnished complete and installed on the main valve. It shall include an opening speed control, a Y-strainer, solenoid valve and isolation ball valves. The flow valve shall be operationally and hydrostatically tested prior to shipment.

MATERIALS OF CONSTRUCTION

The main valve body and bonnet shall be ductile iron per ASTM A536, Grade 65-45-12. All ferrous surfaces shall be coated with 4 mils of epoxy. The main valve seat ring shall be bronze. Elastomers (diaphragms, resilient seats and O-rings) shall be Buna-N. The needle valve and isolation ball valves shall be brass, and control line tubing shall be copper. The solenoid will have an ABS / Nylon body and weatherproof enclosure.

OPERATING CONDITIONS

The solenoid shut-off valve shall be suitable for pressures of 7 to 150 psi at flow rates up to <X> gpm.

ACCEPTABLE PRODUCTS

The solenoid controlled, flow valve shall be a 2" model 127FAV with threaded ends, as manufactured by OCV Control Valves, Tulsa, Oklahoma, USA.

U.S. DIMENSIONS - INCHES		
DIM	END CONN.	2"
A	SCREWED	9 7/8
C ANGLE	SCREWED	4 3/4
D ANGLE	SCREWED	3 7/8
E	ALL	6
H	ALL	11

127FAV currently available in 2" globe screwed ends only.

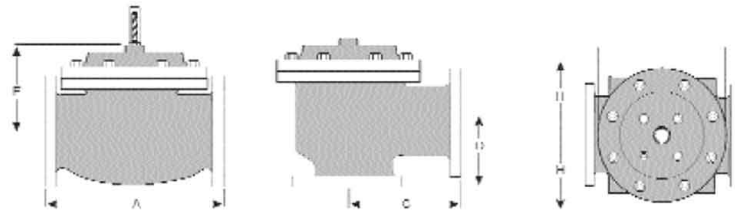
Consult Factory for other configurations.

A routine inspection & maintenance program should be established and conducted yearly by a qualified technician. Consult our factory @ **1-888-628-8258** for parts and service.

How to order your Model 127FAV valve

When Ordering Please Provide:

- Model Number: 127FAV
- Size: 2" Globe with Screwed Ends
- Body Material
- Trim Material
- Flow Rate
- and any other special installation/testing requirements.



Represented by:

QUALITY SYSTEM
REGISTERED TO
ISO 9001

TOLL FREE 1.888.628.8258 • phone: (918)627.1942 • fax: (918)622.8916 • 7400 East 42nd Place, Tulsa, Oklahoma 74145
email: sales@controlvalves.com • website: www.controlvalves.com