



DESCRIPTION

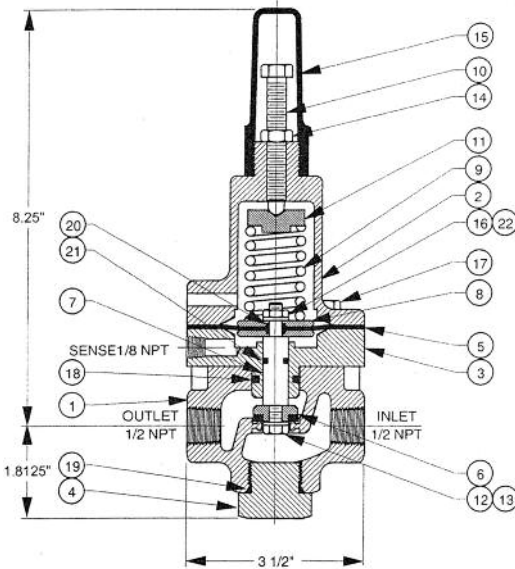
MODEL 1330FC PRESSURE RELIEF VALVE / N.C.

- UL Listed, Control Number 39TZ
- Spring range 4.1 bar - 12 bar for accurate control
- Local sense line (self contained sense loop)
- Simple adjustment
- All parts replaceable while valve is installed
- Rubber to metal seat for positive shut-off
- Bronze, stainless steel or nickel aluminum bronze construction

The Model 1330FC is a two-way, normally closed valve, that senses pressure under its diaphragm and balances it against an adjustable spring load. An increase in pressure above the spring set point, tends to make the valve open.

MODEL 1330FC MATRIX

MATERIAL	PART NUMBER	INLET/OUTLET (NPT)
Bronze, Buna-N	230212	1/2
Stn. Steel, Buna-N	230838	1/2
Nkl. Al. Bronze, Buna-N	230323	1/2



- Model 1330FC Pressure Relief Valve:
1. Body
 2. Bonnet
 3. Adaptor
 4. Plug
 5. Diaphragm
 6. Seat Disc
 7. Stem
 8. Diaphragm Plate
 9. Spring
 10. Adjusting Screw
 11. Spring Retainer
 12. Hex Head Capscrew
 13. Lockwasher
 14. Hex Nut
 15. Cap
 16. Hex Nut
 17. Hex Head Capscrew
 18. O-Ring
 19. O-Ring
 20. O-Ring
 21. O-Ring
 22. Lockwasher

SPRING RANGES

PART #	COLOR	RANGE BAR	RANGE kPa
651000	Red	4.1 - 12	414 - 1207

MATERIALS

Bronze
 Stainless Steel ASTM A743/CF8-M
 Nickel Aluminum Bronze ASTM B148 C95800
 Elastomers - Buna-N

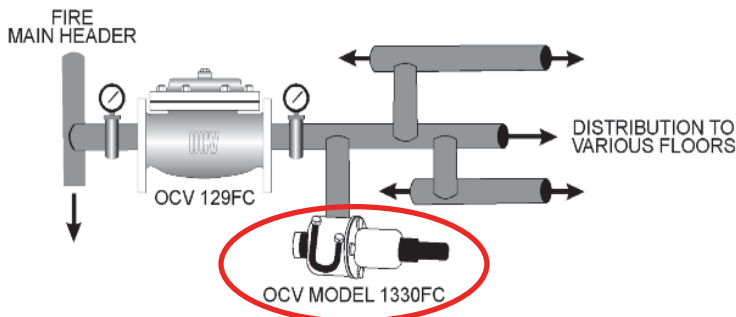
MAINTENANCE

Rubber components are typically the only parts that may require periodic replacement.

These are available in kits consisting of the diaphragm, the seat disc and all O-rings.

Buna-N Kit - Part # 930000

RECOMMENDED INSTALLATION



TOLL FREE 1.888.628.8258 ● phone: (918)627.1942 ● fax: (918)622.8916 ● 7400 East 42nd Place, Tulsa, OK 74145
 email: sales@controlvalves.com ● website: www.controlvalves.com