

DESCRIPTION

- Ballasted manual tester verifies integrity of float ball
- Side-mount flange fits most brands of filter separators
- Pilot float "rides" the interface between water and fuel
- Four-way control to actuate discharge slug valve and/or automatic water drain valve
- Uses time-proven 800 pilot block (see Model Sheet 800)
- Stainless Steel pilot and float assembly (no red metals)
- Factory tested

The Model 800D-MTW side-mounted filter separator float allows only the discharge of clean, water-free fuel from the filter separator. The three models are as follows:

MODEL	PART NUMBER	FLANGE MATERIAL	PILOT/FLOAT ASSEMBLY
800D-5MTW	230751	Ductile Iron, Epoxy-Coated	Stainless Steel
800D-6MTW	230753	Stainless Steel	Stainless Steel
800D-8MTW	230755	Aluminum	Stainless Steel

PILOT BLOCK PORT CONNECTIONS (All ports 1/8" NPT)

POWER: Filter separator vessel pressure
ACCELERATOR VALVE: Bonnet of accelerator pilot on discharge slug valve

WATER DRAIN: Bonnet of automatic water drain valve
EXHAUST: Atmospheric drain line

OPERATION

The float of the 800D-MTW is counterweighted so that it will float in water, but sink in fuel. Depending on the water level in the filter separator, the 800D-MTW actuates the other control components in the system as follows:

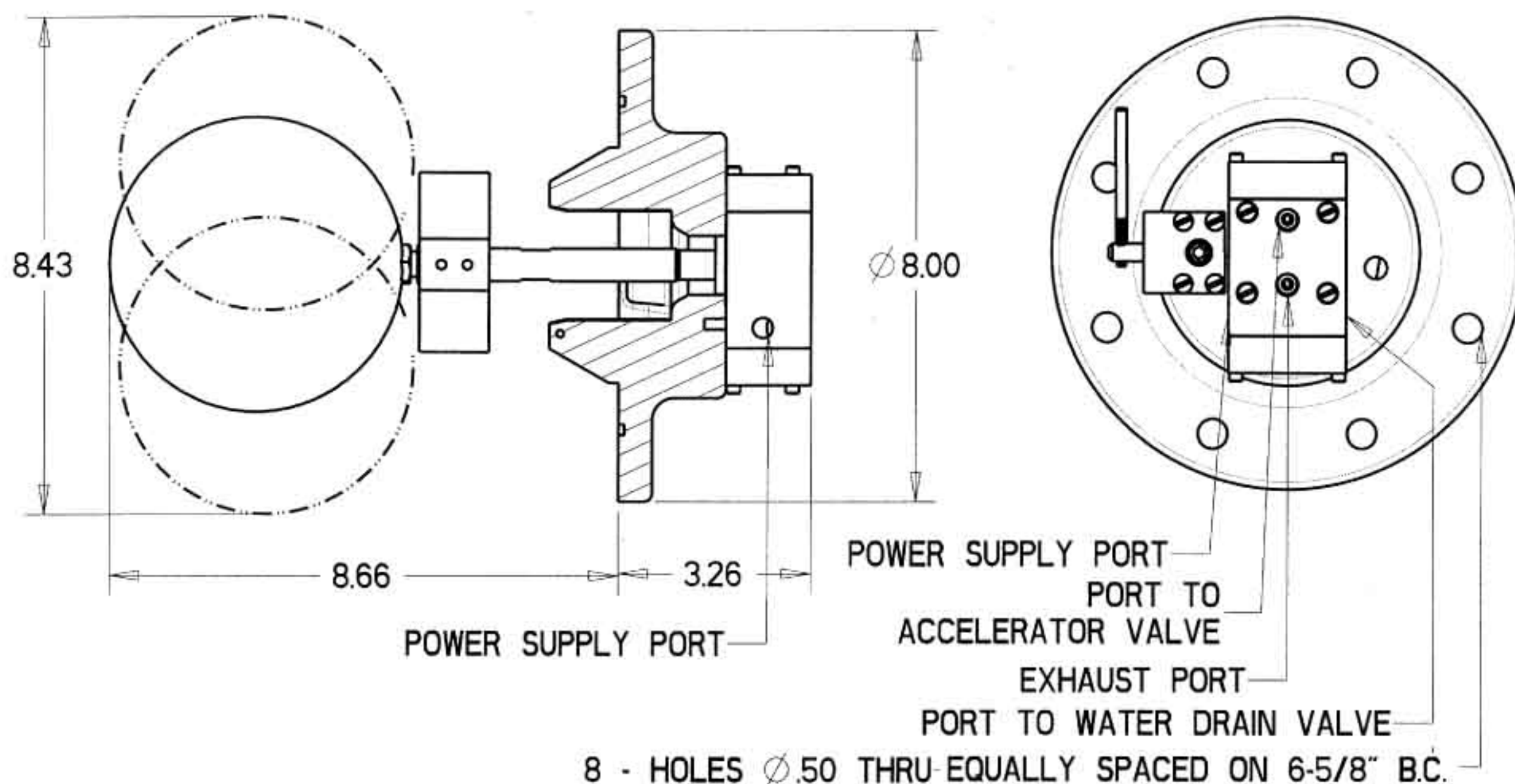
FLOAT POSITION	DISCHARGE (SLUG) VALVE	WATER DRAIN VALVE (if equipped)
DOWN (No Water)	OPEN	CLOSED
MEDIAN (Rising Water)	OPEN	OPEN
UP (High Water)	CLOSED	OPEN

Actuating the manual tester will remove the counterweight from the float arm. This allows the float to rise, confirming the proper operation of the pilot, slug valve, and/or the water drain valve, as well as the integrity of the float ball itself.

MAXIMUM PRESSURE:
 300 psi
 (20.7 bar)

OPERATING TEMPERATURE:
 32°-120°F
 (0°-49°C)

MAXIMUM FUEL SPECIFIC GRAVITY:
 0.85



TOLL FREE 1.888.628.8258 ● phone: (918)627.1942 ● fax: (918)622.8916 ● 7400 East 42nd Place, Tulsa, OK 74145
 email: sales@controlvalves.com ● website: www.controlvalves.com

Global performance. Personal touch.

Model 800D-MTW Interface Float Pilot - Side Mounted