



▲ Model 119-5

The Model 119-5 has a very specific purpose: to limit the flow of fuel through a filter separator and, in the event of high water levels in the filter separator sump, to close fully. To perform this task, the Model 119-5 must operate in conjunction with one of the OCV 800 series interface float pilots.

SERIES FEATURES

- ▶ Controls or limits flow to a predetermined rate
- ▶ Built-in orifice plate for sensing flow rate
- ▶ Extra-sensitive differential pilot
- ▶ Flow rate is adjustable with single screw
- ▶ High capacity pilot system provides quick closing
- ▶ Can be maintained without removal from the line
- ▶ Factory tested and can be preset to your requirements
- ▶ Valve position indicator

MODEL 119-5

OPERATION

With little or no water in the sump of the filter separator, the float of the interface pilot is down. The float pilot routes vessel pressure to the bonnet of the three-way auxiliary pilot. This positions the three port auxiliary pilot to connect the bonnet of the main valve downstream, allowing the valve to open. While open, the rate of flow pilot senses the differential across the integral orifice plate, which is located in the valve inlet flange, and responds to changes in this differential by modulating the main valve to prevent the flow rate from exceeding the predetermined maximum.

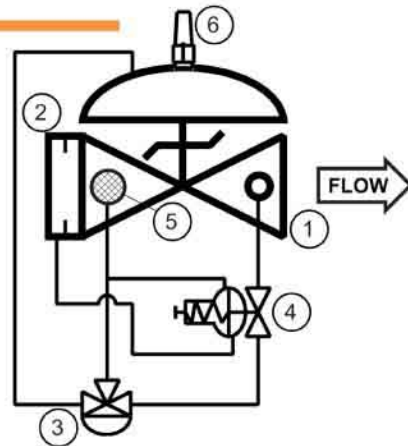
With a high water level in the sump of the filter separator, the float of the interface pilot is up. The float pilot vents pressure from the bonnet of the three-way auxiliary pilot, shifting it to apply full inlet pressure to the bonnet of the main valve and drives the valve fully and tightly closed.

COMPONENTS

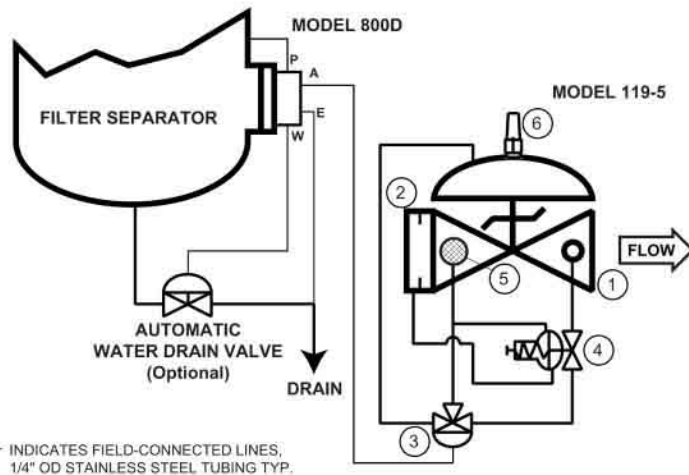
The Model 119-5 consists of the following components, arranged as shown on the schematic diagram:

- 1.) Model 65 Basic Control Valve (Fail Closed)
- 2.) Orifice Plate
- 3.) Model A224 Accelerator Pilot
- 4.) Model 2450 Rate of Flow Control Pilot
- 5.) Model 123 Inline Strainer
- 6.) Model 155L Visual Indicator

SCHEMATIC



RECOMMENDED INSTALLATION



MAX. PRESSURE

Maximum pressure is determined by that of the interface float pilot.

END CONNECTIONS	DUCTILE IRON	STEEL/STN STL	ALUMINUM
Threaded	300 psi	300 psi	285 psi
Grooved	300 psi	300 psi	200 psi
150# Flanged	250 psi	285 psi	285 psi
300# Flanged	300 psi	300 psi	---

SIZING

Sizing of the Model 119-5 is typically the same size as the filter separator discharge connection. Consult the factory for assistance.

TOLL FREE 1.888.628.8258 • phone: (918)627.1942 • fax: (918)622.8916 • 7400 East 42nd Place, Tulsa, Ok 74145
 email: sales@controlvalves.com • website: www.controlvalves.com

SIZES

GLOBE/ANGLE

Flanged Ends

1 1/4" - 24" (globe);

1 1/2" - 6" (grooved ends);

11/4" - 16" (angle)

TEMPERATURE RANGE

(Valve Elastomers)

Buna-N -40° F - 180°F

Viton 0° F - 400°F

MATERIALS

Consult factory for others.

Body/Bonnet: Ductile Iron (epoxy coated), Carbon Steel (epoxy coated), Stainless Steel, Aluminum

Seat Ring: Stainless Steel, Bronze

Stem: Stainless Steel, Monel

Spring: Stainless Steel

Diaphragm: Buna-N, Viton, (Nylon reinforced)

Seat Disc: Buna-N, Viton

Pilot: Stainless Steel, Bronze

Other pilot system components:

Stainless Steel, Bronze/Brass

Tubing & Fittings: Stainless Steel, Copper/Brass

SPECIFICATIONS (Typical Fuel Application)

The filter separator rate of flow/shut-off valve shall open and close via hydraulic signals from the interface float pilot, and shall limit the flow rate through the filter separator to a predetermined maximum.

DESIGN

The filter separator rate of flow/shut-off valve shall be a single-seated, line pressure operated, diaphragm actuated, pilot controlled globe valve. The valve shall seal by means of a corrosion-resistant seat and a resilient, rectangular seat disc. These, and other parts, shall be replaceable without removing the valve from the line. The stem of the main valve shall be guided top and bottom by integral bushings. Alignment of the body, bonnet and diaphragm assembly shall be by precision dowel pins. The diaphragm shall not be used as a seating surface, nor shall the pistons be used as an operating means. The pilot system shall be furnished complete and installed on the main valve. It shall include an orifice plate mounted in the valve inlet flange, rate of flow control pilot, inline strainer, 3-way auxiliary pilot, and valve position indicator. The filter separator rate of flow/ shut-off valve shall be operationally and hydrostatically tested prior to shipment.

MATERIALS OF CONSTRUCTION

The main valve body and bonnet shall be ductile iron per ASTM A536, Grade 65-45-12. All ferrous surfaces shall be coated with 4 mils of epoxy. The main valve seat ring shall be CF8M stainless steel. Elastomers (diaphragms, resilient seats and O-rings) shall be Buna-N. The control pilots, control line tubing and fittings shall be stainless steel.

OPERATING CONDITIONS

The filter separator rate of flow/shut-off valve shall be suitable for pressures of <X to X> psi at flow rates up to <X> gpm.

ACCEPTABLE PRODUCTS

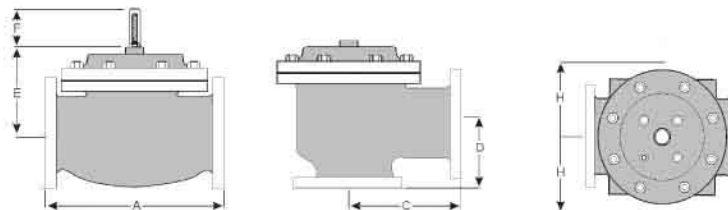
The filter separator rate of flow/shut-off valve shall be a <size> Model 119-5, <globe pattern, angle pattern>, with <150# flanged, 300# flanged> end connections, as manufactured by OCV Control Valves, Tulsa, Oklahoma, USA.

U.S. DIMENSIONS - INCHES

DIM	END CONN.	1 1/4-1 1/2	2	2 1/2	3	4	6	8	10	12	14	16	24
A	SCREWED	8 3/4	9 7/8	10 1/2	13	--	--	--	--	--	--	--	--
	GROOVED	8 3/4	9 7/8	10 1/2	13	15 1/4	20	--	--	--	--	--	--
	150# FLGD	8 1/2	9 3/8	10 1/2	12	15	17 3/4	25 3/8	29 3/4	34	39	40 3/8	62
C	SCREWED	4 3/8	4 3/4	6	6 1/2	--	--	--	--	--	--	--	--
	GROOVED	4 3/8*	4 3/4	6	6 1/2	7 5/8	--	--	--	--	--	--	--
	150# FLGD	4 1/4	4 3/4	6	6	7 1/2	10	12 11/16	14 7/8	17	--	20 13/16	--
D	SCREWED	3 1/8	3 7/8	4	4 1/2	--	--	--	--	--	--	--	--
	GROOVED	3 1/8*	3 7/8	4	4 1/2	5 5/8	--	--	--	--	--	--	--
	150# FLGD	3	3 7/8	4	4	5 1/2	6	8	11 3/8	11	--	15 11/16	--
E	SCREWED	3 1/8	4 1/8	4 3/8	4 3/8	5 13/16	6 1/2	8 1/2	12 1/16	11 3/4	--	16 1/2	--
	ALL	6	6	7	6 1/2	8	10	11 7/8	15 3/8	17	18	19	27
	F (OPT)	ALL	3 7/8	3 7/8	3 7/8	3 7/8	3 7/8	3 7/8	6 3/8	6 3/8	6 3/8	6 3/8	8
H	ALL	10	11	11	11	12	13	14	17	18	20	20	28 1/2

*GROOVED END NOT AVAILABLE IN 1 1/4"

For maximum efficiency, the OCV control valve should be mounted in a piping system so that the valve bonnet (cover) is in the top position. Other positions are acceptable but may not allow the valve to function to its fullest and safest potential. In particular, please consult the factory before installing 8" and larger valves, or any valves with a limit switch, in positions other than described. Space should be taken into consideration when mounting valves and their pilot systems.



QUALITY SYSTEM
REGISTERED TO
ISO 9001

A routine inspection & maintenance program should be established and conducted yearly by a qualified technician. Consult our factory @ 1-888-628-8258 for parts and service.

How to order your Model 119-5 valve

When ordering please provide:

Fluid to be controlled - Model Number - Size - Globe or Angle - End Connection - Body Material - Trim Material - Flow Rate Setting or Range - Elastomers - Special Requirements / Installation Requirements

Represented by:

TOLL FREE 1.888.628.8258 • phone: (918)627.1942 • fax: (918)622.8916 • 7400 East 42nd Place, Tulsa, Oklahoma 74145
email: sales@controlvalves.com • website: www.controlvalves.com