

pressure reducing valve

installation, operating and maintenance instructions

model 127-3

GENERAL DESCRIPTION

The OCV Model 127-3 is specifically designed for fuel loading systems. It functions to control the downstream pressure at a designated set point regardless of fluctuations in demand or inlet pressure.

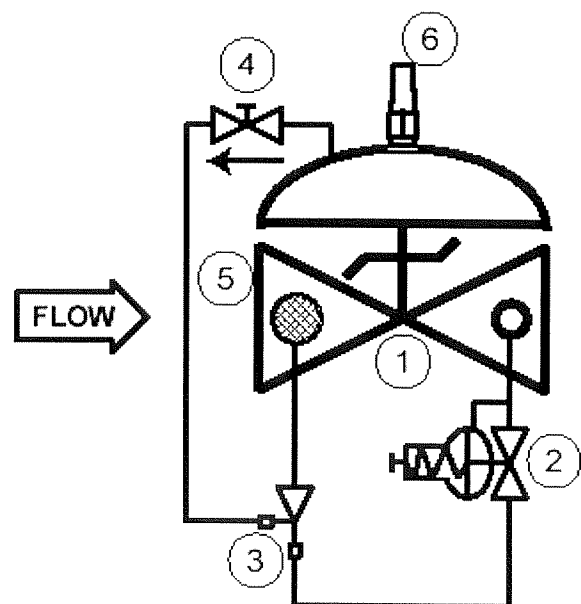
The 127-3 consists of the following components, arranged as shown on the schematic diagram:

1. **Model 65 Basic Valve Assembly**, a hydraulically operated, diaphragm actuated, pilot controlled, globe valve which closes with an elastomer-on-metal seal.
2. **Model 1340 Pressure Reducing Pilot**, a two-way, normally-open valve which senses downstream (discharge) pressure under its diaphragm and balances it against an adjustable spring load. An increase in pressure above the set point will tend to close the pilot.
3. **Model 126 Ejector**, a simple tee fitting with an orifice installed in its inlet port. It provides the necessary pressure balance to enable the remainder of the pilot system to properly control the main valve.
4. **Model 141-3 Flow Control Valve**, as needle-type valve which allows adjustable, restricted flow in one direction and free flow in the opposite direction. On the 127-3, the flow control valve is connected as an **opening speed control**.
5. **Model 123 Inline Strainer** that protects the pilot system from solid contaminants in the line fluid.

6. **Model 155L Visual Indicator (optional)**. The visual indicator enables the user to determine the valve's operating position at a glance.

THEORY OF OPERATION

In order to understand the hydraulic operation of the 127-3, it is best to start with the **ejector (3)**. The orifice in its inlet port may be thought of as a fixed supply. The remainder of the pilot system, consisting of the **pressure reducing pilot (2)**, is installed on the downstream run port of the ejector, and may be thought of as a variable exhaust. Note that the branch port of the ejector, which is downstream of the orifice, is connected to the main



valve diaphragm chamber through the **opening speed control (4)**. With all this in mind, general action of the pilot system may be summarized as follows:

1. If the pressure reducing pilot is open enough to allow exhaust to exceed supply, pressure is lowered on the main valve diaphragm chamber, which allows the valve to open.
2. If the pilot is closed enough so that exhaust is less than supply, pressure is increased on the main valve diaphragm chamber, which causes the valve to close.

PRESSURE REDUCING ACTION: Under normal conditions, with downstream pressure below the set point of the **pressure reducing pilot (2)**, the pilot is wide open. Ejector exhaust thus exceeds supply, and the main valve opens as described above. However, if the pressure increases to the set point of the pilot, the pilot begins to close until exhaust no longer exceeds supply, and the main valve begins to close. The net result is a modulating (throttling) action of the pilot and main valve to prevent the downstream pressure from exceeding the set point.

INSTALLATION

The 127-3 is furnished fully factory-assembled including all control line tubing.

1. Install the 127-3 at the appropriate point in the loading system, observing the following:
 - (a) Before installing the valve, make sure there is no foreign material inside the valve.
 - (b) Make sure all tubing connections are secure.
 - (c) For ease of maintenance service of the valve, it is recommended that an isolation valves be installed upstream and downstream of the valve.

STARTUP AND ADJUSTMENTS

The following procedures should be followed in the order presented in order to effect an initial startup of the 127-3.

1. Install a pressure gauge of the proper range downstream of the 127-3.
2. Remove the adjusting screw cap from the pres-

sure reducing pilot (2) and loosen the adjusting screw jam nut. Turn the adjusting screw **counterclockwise** until it is loose enough to be turned with the fingers.

3. Loosen the jam nut on the adjusting screw of the opening speed control (4). Turn the adjusting screw fully clockwise, then **counterclockwise** 1 1/2 turns.
4. Start the pump. The valve should remain closed or very close to closed.
5. Carefully loosen a pipe plug in the main valve bonnet until fluid appears around the threads. When only clear fluid (no air) is discharging, retighten the plug.
6. Slowly turn the adjusting screw of the pressure reducing pilot (2) **clockwise** until downstream pressure increases to the set point. Tighten the adjusting screw jam nut and replace the plastic cap.

SUMMARY OF ADJUSTMENTS

1. Pressure reducing pilot (2): **Clockwise** to increase downstream pressure; **counterclockwise** to decrease downstream pressure.
2. Flow control valve (4): **Clockwise** to decrease valve opening speed; **counterclockwise** to increase valve opening speed. *WARNING: Do not close the speed control completely. If you do, the valve will not open at all.*

MAINTENANCE

Required maintenance of the 127-3 is minimal. However, the following steps, periodically performed, will do much to keep the valve operating efficiently and properly.

1. Check for leaks at fittings and around flanges. Tighten as required.
2. Check for chipped or peeling paint. Touch up as required.

TROUBLESHOOTING

In the event of malfunction of the 127-3, the following outline should enable the technician to isolate the cause of the problem and to take the appropriate corrective action.

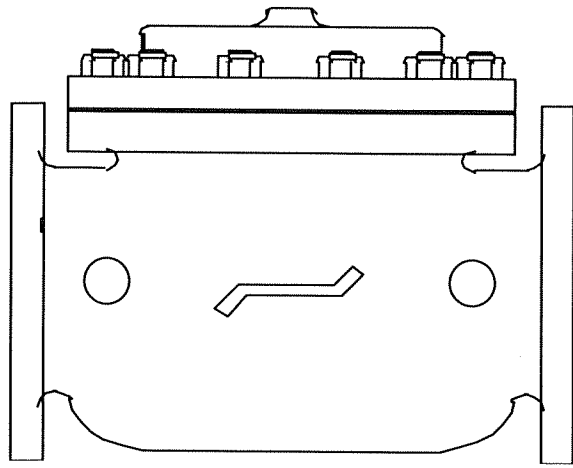
MAIN VALVE FAILS TO OPEN or PRESSURE TOO LOW

1. Flow control valve (4) fully closed — Open as required. See Adjustment Instructions.
2. Pressure reducing pilot (2) adjusted too far counterclockwise — See Adjustment Instructions.
3. Stem of pressure reducing pilot binding — Disassemble pilot and determine cause. See the 1340 Pilot section of this manual.
4. Stem binding in main valve — See Model 65 Basic Valve section of this manual.

MAIN VALVE FAILS TO CLOSE or PRESSURE TOO HIGH

1. Pressure reducing pilot (2) diaphragm ruptured - This will be evidenced by a leakage of fuel from the vent hole in the pilot bonnet — Replace diaphragm. See the 1340 Pilot section of this manual.
2. Pressure reducing pilot (2) stem binding or seat deteriorated — Disassemble pilot and determine cause. See the 1340 Pilot section of this manual.
3. Stem of main valve (1) binding or diaphragm ruptured — See the Model 65 Basic Valve section of this manual.





installation, operating, and maintenance instructions

series 65

basic control valve

GENERAL DESCRIPTION

The OCV Series 65 is a hydraulically-operated, diaphragm-actuated valve. It is available in either a globe (Model 65) or angle (Model 65A) configuration. The diaphragm is nylon-fabric bonded with synthetic rubber and forms a sealed chamber in the upper portion of the valve, separating operating pressure from line pressure. An elastomeric seat disc forms a tight seal with the valve seat when pressure is applied above the diaphragm.

FUNCTIONAL DESCRIPTION

Because the Series 65 is a hydraulically operated valve, it requires a minimum line pressure of approximately 5 psig in order to function. The valve functions on a simple principle of pressure differential. The line pressure at the inlet of the valve is bypassed through the pilot control piping to the diaphragm chamber of the valve. This pressure, together with the valve spring, works against the pressure under the valve seat. Because the effective area of the diaphragm is greater than that of the seat, the valve is held tightly closed. As the controlling pilot(s) allow the pressure to bleed off the diaphragm chamber, the two opposing pressures begin to balance and the valve will begin to open. The valve can be used to perform a simple on-off function, or with the proper pilot system, a modulating, or regulating function.

In cases where the line fluid is unusually dirty, or is otherwise unsuitable for operating the valve, an independent operating pressure source may be employed. The pressure available from such a source must be equal to, or greater than, line pressure.

INSTALLATION

In order to insure safe, accurate and efficient operation of the OCV control valve, the following list of checkpoints and procedures should be followed when installing the

valve.

1. Make a careful visual inspection of the valve to insure that there has been no damage to the external piping, fittings or controls. Check that all fittings are tight.
2. Thoroughly flush all interconnecting piping of chips, scale and foreign matter prior to mounting the valve.
3. Install the valve in the line according to the flow arrow on the inlet flange. The arrow should point downstream.
4. Allow sufficient room around the valve for ease of adjustment and maintenance service.

In addition, it is highly recommended that:

1. Isolation valves (eg., gate or butterfly) be installed on the inlet and discharge sides of the valve to facilitate isolating the valve for maintenance.
2. Pressure gauges be installed at the inlet and outlet sides of the valve to provide monitoring of the valve during initial start-up and during operation. The body side ports, if unused by the pilot system, provide a convenient connection for the gauges.
3. All valves larger than 6" be installed horizontally, i.e., with the bonnet pointed up, for ease of adjustment and maintenance servicing.

MAINTENANCE

The OCV control valve requires no lubrication and a minimum of maintenance. However, a periodic inspection should be established to determine how the fluid being handled is affecting the efficiency of the valve. In a water system, for example, the fluid velocity as well as the substances occurring in natural waters, such as dissolved minerals and suspended particles, vary in every installation. The effect of these actions or substances must be determined by inspection. It is recommended that an annual inspection, which includes ex-

amination of the valve interior, be conducted. Particular attention should be paid to the elastomeric parts, i.e., the diaphragm and seat disc. Any obviously worn parts should be replaced.

REPAIR PROCEDURES

In the event of malfunction of the OCV control valve, troubleshooting should be conducted according to the procedures outlined for the specific model of valve. Then, if those steps indicate a problem with the main valve, this section will outline the procedures necessary to correct the problem.

Problems with the main valve can be classed in three basic categories:

1. VALVE FAILS TO OPEN
 - a. Diaphragm damaged* - See Procedure A
 - b. Stem binding - See Procedure B
2. VALVE FAILS TO CLOSE
 - a. Diaphragm damaged* - See Procedure A
 - b. Stem binding - See Procedure B
 - c. Object lodged in valve - See Procedure B
3. VALVE OPENS AND CLOSSES BUT LEAKS WHEN CLOSED
 - a. Seat disc damaged - See Procedure C
 - b. Seat ring damaged - See Procedure D

**A diaphragm failure can prevent the valve from either opening or closing, depending on the flow direction. Most water service valves flow "under the seat", in which case a diaphragm failure will keep the valve from closing. On the other hand, most fuel service valves flow "over the seat", in which case a diaphragm failure will keep the valve from opening. To determine which you have, examine the bridge mark cast into the side of the valve body, then compare it with the figures below.*

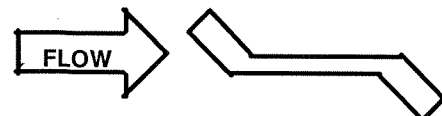
PROCEDURE A : DIAPHRAGM REPLACEMENT

1. Isolate the valve from the system by closing upstream and downstream block valves.
2. Loosen one of the tubing connections on the bonnet. Allow any residual pressure to bleed off.
3. Remove all tubing connected at the bonnet.
4. Remove the bonnet nuts.
5. Remove the bonnet. If the bonnet sticks in place, it may be loosened by rapping sharply around its edge with a rubber-headed mallet. *NOTE: 8" and larger valves are equipped with eye bolts through which a chain can be fastened to aid in*

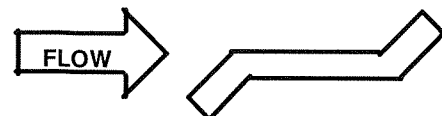
- lifting the bonnet.*
6. Remove the spring.
 7. Remove the diaphragm plate capscrews and the diaphragm plate.
 8. Remove the old diaphragm.
 9. Making sure the dowel pin holes are in the proper location, place the new diaphragm over the studs and press down until it is flat against the body and spool.
 10. Replace the diaphragm plate and the diaphragm plate capscrews.
 11. Tighten all diaphragm plate capscrews snugly.
 12. Replace the spring.
 13. Replace the bonnet and reinstall the bonnet nuts.
 14. Tighten the bonnet nuts snugly using a criss-cross tightening pattern.
 15. Reinstall the control tubing.
 16. Reopen the upstream and downstream block valves.
 17. Before placing the valve back in service, perform the air bleed procedure described in the first section of this manual.

PROCEDURE B: CORRECTION OF BINDING STEM

1. Perform Steps 1 thru 6 of Procedure A, above.
2. Remove the spool assembly from the valve. *NOTE:*



FLOW UNDER SEAT
DIAPHRAGM FAILURE = VALVE FAILS TO CLOSE



FLOW OVER SEAT
DIAPHRAGM FAILURE = VALVE FAILS TO OPEN

On smaller valves, this can be accomplished simply by grasping the stem and pulling upward. Valves 6" and larger have the top of the stem threaded to accept an eyebolt to aid in lifting the spool out of the body. 6" thru 12" valves are threaded 3/8-16. 14" and 16" valves are threaded 5/8-11.

3. Carefully examine both ends of the stem for deep scratches, scoring or buildup of mineral deposits.

Polish the stem if necessary using a fine grade of emery cloth.

4. Similarly, examine and polish the upper bushing (in the bonnet) and the lower guide (in the seat ring).
5. Reinstall the spool assembly.
6. Reassemble the valve, following Steps 12 thru 17 in Procedure A.

PROCEDURE C: SEAT DISC REPLACEMENT

1. Perform Steps 1 and 2 of Procedure B, above.
2. With the spool assembly removed from the body, remove the seat retainer screws.
3. Slide the seat retainer off the lower end of the stem.
4. Remove the seat disc from its groove in the spool.

NOTE: The seat disc may fit quite tightly in the groove. If necessary, it may be pried out using a thin-bladed screwdriver or similar tool.

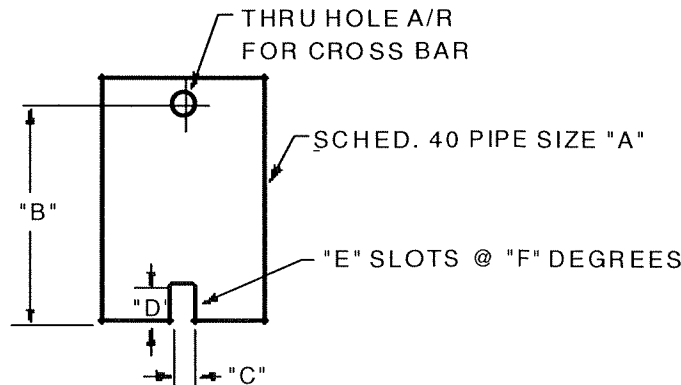
5. Install the new seat disc in the groove.
6. Reinstall the seat retainer and tighten the seat retainer screws.
7. Reassemble the valve, following Steps 5 and 6 of Procedure B.

PROCEDURE D: SEAT RING REPLACEMENT

NOTE: It is rare for a seat ring to require replacement. Minor nicks and scratches in the seating surface can usually be smoothed out with emery cloth.

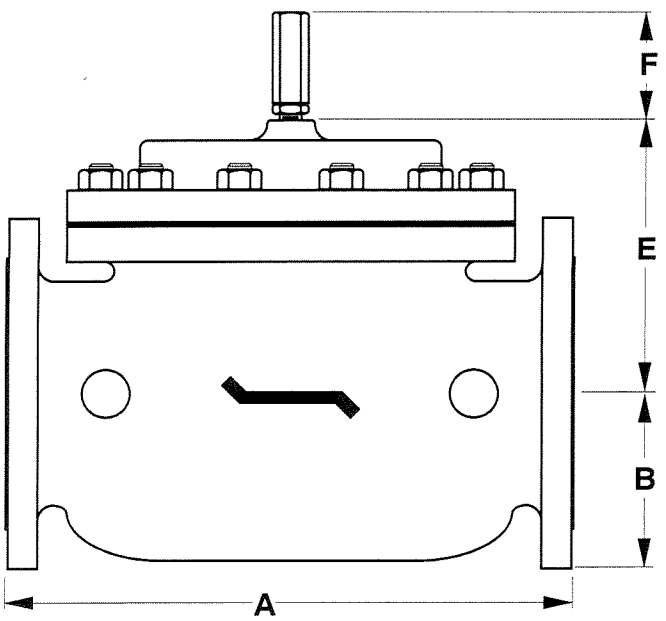
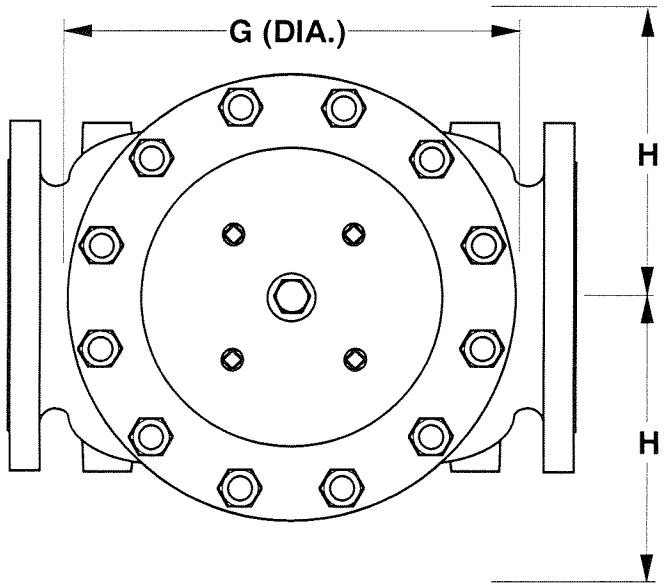
1. Perform Steps 1 and 2 of Procedure B, above.
2. If you are working on a 4" or smaller valve, follow Steps 3 thru 9, below.
3. If you are working on a 6" or larger valve, follow Steps 10 thru 16, below.

4. Seat rings in valves 4" and smaller are threaded into the valve body. To remove, you will need a special seat ring tool. You may fabricate one using standard pipe as shown in the sketch below, or one may be purchased from OCV.
5. Using the seat ring tool, unthread the seat ring from the body.
6. Remove the old o-ring from the counterbore in the body.
7. Install the new o-ring in the counterbore.
8. Using the seat ring tool, install the new seat ring.
9. Reassemble the valve, following Steps 5 & 6 of Procedure B.
10. Seat rings in valves 6" and larger are bolted into the body with socket head capscrews. In addition you will note that the seat ring is equipped with additional threaded holes that may be used for "jacking" the seat ring out of the body.
11. Remove the socket head capscrews.
12. Remove the old seat ring from the body by temporarily installing two or more of the capscrews in the "jacking" holes.
13. Install a new o-ring in the groove of the new seat ring. Lubricate the o-ring and outer seat ring wall with Vaseline® or similar lubricant.
14. Install the new seat ring in the body, making sure that the capscrew holes line up.
15. Replace and tighten all the capscrews.
16. Reassemble the valve, following Steps 5 and 6 of Procedure B.

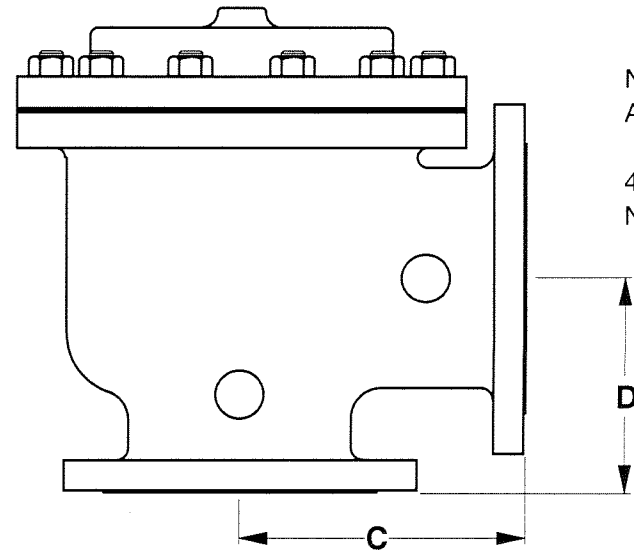


VALVE SIZE	"A" PIPE SIZE	"B" MIN. LENGTH	"C" SLOT WIDTH	"D" SLOT DEPTH	"E" NO. OF SLOTS	"F" SLOT SPACING
1-1/4"	3/4"	6"	3/8"	3/8"	2	180°
1-1/2"	3/4"	6"	3/8"	3/8"	2	180°
2"	1-1/2"	7"	3/8"	3/8"	2	180°
2-1/2"	2"	8"	1/2"	1/2"	3	120°
3"	2-1/2"	9"	5/8"	5/8"	2	180°
4"	3"	10"	5/8"	5/8"	2	180°

REVISED 3-17-97




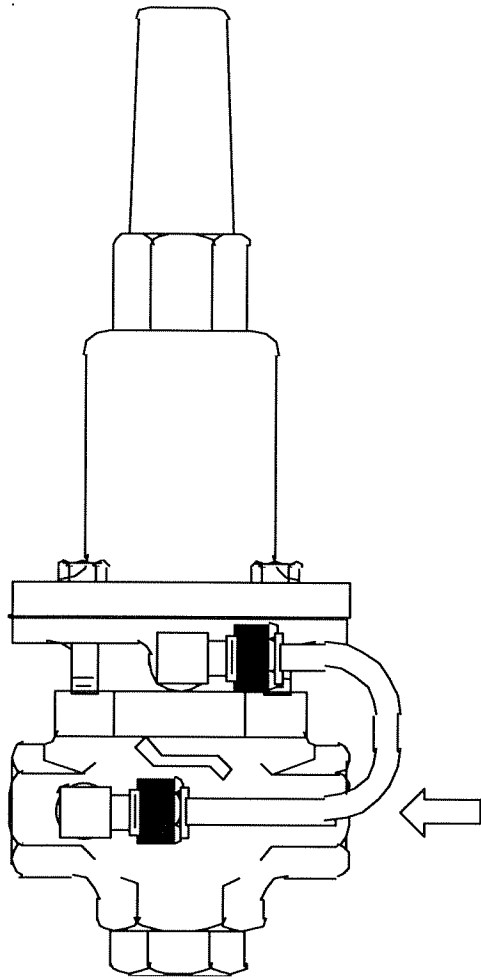
DIM	ANSI CLASS	VALVE SIZE													
		1 1/4	1 1/2	2	2 1/2	3	4	6	8	10	12	14	16	24	
A	S.E	8.75	8.75	9.88	10.50	13.00	-	-	-	-	-	-	-	-	
	150	8.50	8.50	9.38	10.50	12.00	15.00	17.75	25.38	29.75	34.00	39.00	40.38	62.00	
	300	8.75	8.75	9.88	11.12	12.75	15.62	18.62	26.38	31.12	35.50	40.50	42.00	63.75	
B	SE	1.44	1.44	1.69	1.88	2.25	-	-	-	-	-	-	-	-	
	150	2.31	2.50	3.00	3.50	3.75	4.50	5.50	6.75	8.00	9.50	10.62	11.75	16.00	
	300	2.62	3.06	3.25	3.75	4.12	5.00	6.25	7.50	8.75	10.25	11.50	12.75	18.00	
C	SE	4.38	4.38	4.75	6.00	6.50	-	-	-	-	-	-	-	-	
	150	4.25	4.25	4.75	6.00	6.00	7.50	10.00	12.69	14.88	17.00	-	20.81	-	
	300	4 3/8	4.38	5.00	6.38	6.38	7.81	10.50	13.19	15.56	17.75	-	21.62	-	
D	SE	3.12	3.12	3.88	4.00	4.50	-	-	-	-	-	-	-	-	
	150	3.00	3.00	3.88	4.00	4.00	5.50	6.00	8.00	11.38	11.00	-	15.69	-	
	300	3.25	3.25	4.12	4.38	4.38	5.81	6.50	8.50	12.06	11.75	-	16.50	-	
E	ALL	6.00	6.00	6.00	7.00	6.50	7.92	10.00	11.88	15.38	17.00	18.00	19.00	27.00	
F	ALL	3.88	3.88	3.88	3.88	3.88	3.88	3.88	6.38	6.38	6.38	6.38	6.38	8.00	
G	ALL	6.00	6.00	6.75	7.69	8.75	11.75	14.00	21.00	24.50	28.00	31.25	34.50	52.00	
H	ALL	10.00	10.00	11.00	11.00	11.00	12.00	13.00	14.00	17.00	18.00	20.00	20.00	28.50	



NOTE: 3" VALVE DIMENSIONS ARE FOR NEW MODEL 3100
 4" VALVE DIMENSIONS ARE FOR NEW MODEL 4400

REV. A SDJ 6-6-02
 REV. B SDJ 2-3-03

TOLERANCES		 OCV Control Valves TULSA, OKLAHOMA U.S.A.	
UNLESS NOTED FRACTIONAL ±1/64 DECIMAL ±.005 MACH. FINISH 125/ ANGULAR ±1/2°			
GENERAL VALVE DIMENSIONS			
DRAWN BY SDJ	DATE 10-6-97	SIZE	DRAWING NUMBER
CHKD. BY	DATE	A	65D
			REV. B



installation, operating, and maintenance instructions

pressure reducing pilot

model 1340

GENERAL DESCRIPTION

The Model 1340 Pressure Reducing Pilot is a normally-open, direct-acting, spring-loaded, diaphragm-type control pilot. As the primary control pilot for the OCV Series 127 control valves, it is designed to maintain a constant preset discharge pressure from the main valve. It is a constant throttling device, maintaining precise, positive control of the main valve.

The 1340 may also be used by itself as a downstream pressure regulator.

The 1340 is available in bronze or stainless steel construction and with 3/8 NPT or 1/2 NPT end connections.

The 1340 is available with four different adjustment ranges:

5-30 psi	65-180 psi
20-80 psi	100-300 psi

FUNCTIONAL DESCRIPTION

The 1340 controls the pressure in the diaphragm chamber of the main valve, hence the degree of opening or closing of the valve. The downstream pressure is sensed under the diaphragm of the pilot and is balanced against

an adjustable spring load. As the downstream pressure decreases below the set point, the pilot opens wider, decreasing the pressure in the diaphragm chamber of the main valve, opening the valve a proportionate amount. Conversely, as downstream pressure increases above the set point, the pilot closes further, increasing the pressure in the diaphragm chamber of the main valve, closing the valve a proportionate amount. The net result is a constant modulating action of the pilot and main valve, keeping the downstream pressure at the set point within very close limits.

INSTALLATION AND ADJUSTMENT

The 1340 is normally installed in the main valve control piping between the ejector and the downstream body tap. Flow must be in the direction indicated. In most cases, a sense line is factory installed between the diaphragm sense port and the downstream pilot body side port, as shown in the drawing. The pilot can also be remote sensed by running a line (typically 1/4" O.D. tubing) from the 1/8 NPT connection under the pilot diaphragm to the desired downstream point where the pressure control is desired.

Pressure adjustment is made by means of the single adjusting screw:

Clockwise adjustment **increases** downstream pressure.

Counterclockwise adjustment **decreases** downstream pressure.

MAINTENANCE

Required maintenance of the 1340 is minimal. Fittings and bolts should be periodically checked, and the body should be inspected for damage or excessive buildup of foreign material.

TROUBLESHOOTING

Other than improper adjustment, there are basically only three malfunctions which can occur with the 1340 pilot. These, and the symptoms they can cause, are as follows:

1. **PILOT DIAPHRAGM RUPTURED:** Results in failure of the main valve to close and/or downstream pressure that is too high. A ruptured pilot diaphragm will be evidenced by leakage through the vent hole in the pilot bonnet.
2. **PILOT SEAT DISC DETERIORATED:** Results in a downstream pressure that drifts too high under dead-end (zero flow) conditions.
3. **PILOT STEM BINDING:** Typically results in poor pressure control, though in extreme cases, it can result in failure of the main valve to open or close.

REPAIR PROCEDURES

Refer to the 1340 assembly drawing for parts identification.

A. DIAPHRAGM REPLACEMENT

1. Prior to disassembling the pilot, turn the adjusting screw (10) fully counterclockwise until it is loose enough to be turned with the fingers.
2. Remove the four bonnet capscrews (17).
3. Remove the bonnet (2). Set the spring (9) and spring retainers (11) aside in a safe place.
4. Remove the plug (4) from the bottom of the pilot.
5. Using a 7/16" socket as a backup on capscrew (12), remove hex nut (16), lockwasher (22), upper diaphragm plate (8) and o'ring (20).
6. Remove old diaphragm (5).

7. Inspect both diaphragm plate o'rings (20). Replace if necessary.
8. Place new diaphragm on stem (7).
9. Replace upper diaphragm plate (8), o'ring (20), lockwasher (22) and hex nut (16). Tighten securely.
10. Reinstall plug (4).
11. Hold spring (9) and spring retainers (11) together in the proper orientation, and insert them into the bonnet (2).
12. Place the bonnet over the adapter, and insert the bonnet capscrews (17). Tighten securely.
13. Place valve back in service, following the startup and adjustment procedures given in the main portion of this manual.

B. SEAT DISC REPLACEMENT

1. Follow Steps 1 through 4 under DIAPHRAGM REPLACEMENT, above.
2. Using a 7/16" socket as a backup on capscrew (12), remove hex nut (16), lockwasher (22), diaphragm plates (8) and o'rings (20).
3. Remove stem (7) and seat disc (12) through bottom of pilot.
4. Remove capscrew (12), seal washer (13) and old seat disc (6).
5. Place new seat disc, new seal washer and capscrew (12) on stem. Tighten securely.
6. Reinsert stem through bottom of pilot.
7. Reinstall diaphragm plates (8), o'rings (20), diaphragm (5), lockwasher (22) and hex nut (16). Tighten securely.
8. Reassemble pilot following Steps 10 through 13 under DIAPHRAGM REPLACEMENT, above.

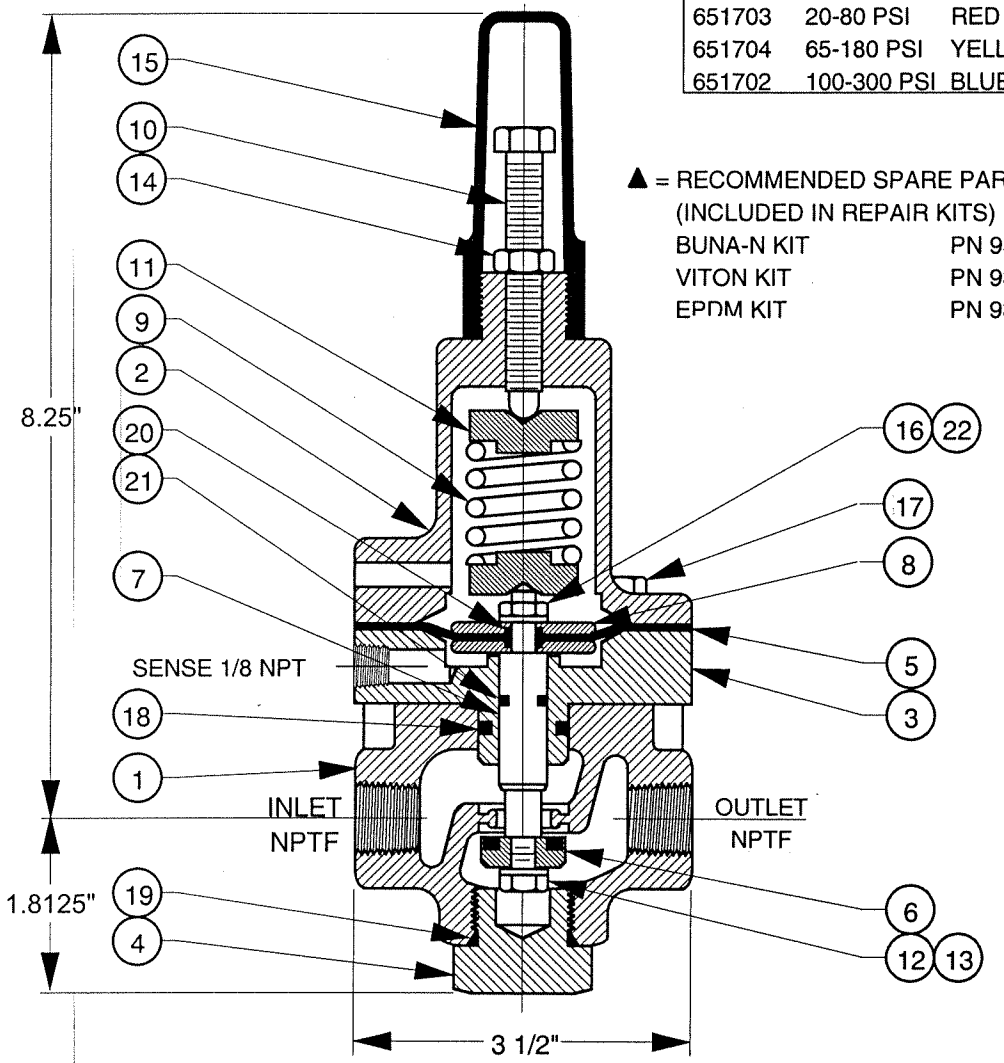
C. STEM REPAIR

1. Follow Steps 1 through 3 under SEAT DISC REPLACEMENT, above.
2. Inspect stem and o'ring (21) carefully.
3. Remove any foreign material or light scratches from the stem with a fine grade of emery cloth. A badly scored stem should be replaced.
4. Replace o'ring (21).
5. Lubricate the o'ring and stem liberally with Vaseline® or similar lubricant.
6. Reassemble pilot following Steps 6 through 8 under SEAT DISC REPLACEMENT, above.

SPRING CHART			
651701	5-30 PSI	GREEN	
651703	20-80 PSI	RED	
651704	65-180 PSI	YELLOW	
651702	100-300 PSI	BLUE	

▲ = RECOMMENDED SPARE PARTS
(INCLUDED IN REPAIR KITS)

BUNA-N KIT	PN 930000
VITON KIT	PN 930100
EPDM KIT	PN 930400



ITEM	PART NO	QTY	DESCRIPTION	MATERIAL
1	302102	1	BODY	3/8" NPTF
	302104			1/2" NPTF
	302702			3/8" NPTF
	302704			1/2" NPTF
2	304102	1	BONNET	BRONZE
	304702			STN STEEL
3	300129	1	ADAPTOR	BRONZE
	300719			STN STEEL
4	692502	1	PLUG	ZINC PLTD STL
	310730			STN STEEL
5	694002	1	DIAPHRAGM	BUNA-N / NYLON
	694102			VITON / NYLON
	694016			EPDM / NYLON
6	310703	1	SEAT DISC	BUNA-N / SS
	310709			VITON / SS
	310707			EPDM / SS
7	314704	1	STEM	STN STEEL
	314004			MONEL
8	308102	2	DIAPHRAGM PLATE	BRASS
	308702			STN STEEL
9	CHART	1	SPRING	STN STEEL
10	300700	1	ADJUSTING SCREW	STN STEEL
11	300134	2	SPRING RETAINER	BRASS
	300729			STN STEEL
12	531700	1	HEX HEAD CAPSCREW	STN STEEL
13	685760	1	LOCKWASHER	STN STEEL
14	590717	1	HEX NUT	STN STEEL
15	692002	1	CAP	PVC
16	590712	1	HEX NUT	STN STEEL
17	531701	4	HEX HEAD CAPSCREW	STN STEEL
18	611116	1	O-RING	VITON
	614116			EPDM
19	610912	1	O-RING	BUNA-N
	611912			VITON
	914912			EPDM
20	611010	2	O-RING	VITON
	614010			EPDM
21	611012	1	O-RING	VITON
	614012			EPDM
22	685700	1	LOCKWASHER	STN STEEL

CHG	E.C. NO.	DATE	BY	REVISIONS	REF DWG NO'S

MATERIAL	TOLERANCES
NOTED	UNLESS NOTED FRACTIONAL ±1/64 DECIMAL ±.005 MACH. FINISH 125 ✓ ANGULAR ±1/2°
NO. REQ'D	DRAWN BY RON
SCALE	DATE 2-15-96
1/2	CHKD. BY DATE

MOORE Control Valves TULSA, OKLAHOMA U.S.A.

**MODEL 1340 PILOT 3/8"-1/2" NPTF
PRESSURE REDUCING**

SIZE	DRAWING NUMBER	REV.
A	1340	

DESCRIPTION



MODEL 126 EJECTOR
 The Model 126 ejector is a simple tee fitting with a fixed orifice in its inlet port. It provides the proper supply pressure to the main valve diaphragm chamber, allowing various two-way control pilots to control the valve position.

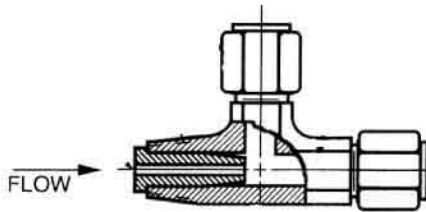
MODEL 126 EJECTOR DIAGRAM

Brass Construction / Stainless Steel Construction

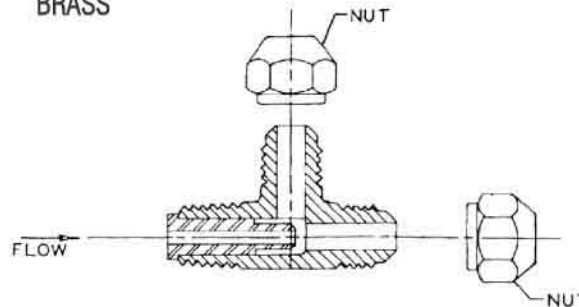
MATERIAL	PART NUMBER	P (NPT)	T-TUBE O.D.	STD. ORIFICE	USED ON VALVE SIZES
Brass	213100	3/8"	3/8"	.125"	1 1/4"-6"
Brass	214100	1/2"	1/2"	.188"	8"-10"
Brass	215100	3/4"	3/4"	.188"	12"-16"
316 Stn. Steel	213700	1/4"	3/8"	.090"	1 1/4"-6"
316 Stn. Steel	214700	3/8"	1/2"	.125"	8"-10"
316 Stn. Steel	215700	1/2"	3/4"	.188"	12"-16"

Orifice bushings are stainless steel.

STAINLESS

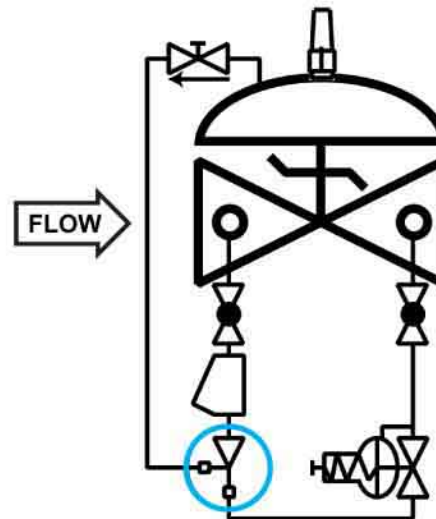
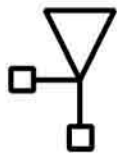


BRASS



SCHEMATIC SYMBOL

The Model 126 Ejector is shown on OCV Valve Schematics as:

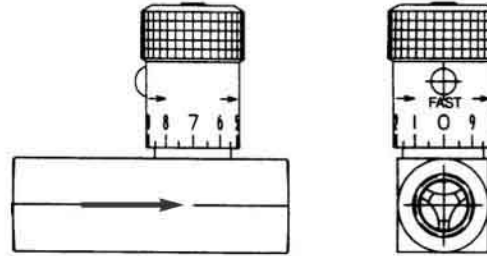


EXAMPLE: Shown here on a MODEL 127-3 Pressure Reducing Valve

DESCRIPTION



The Model 141-3 Flow Control Valve is an adjustable restriction device, installed in the control circuit tubing. The flow control valve differs from a standard needle valve in that it includes an internal check valve. Thus it allows free flow in one direction (through the check) and restricted flow in the other direction (through the needle). The setting of the flow control valve meters the flow into or out of the main valve diaphragm chamber, thus controlling either the opening or closing speed of the main valve. These can be installed in series for separate opening and closing speed control.



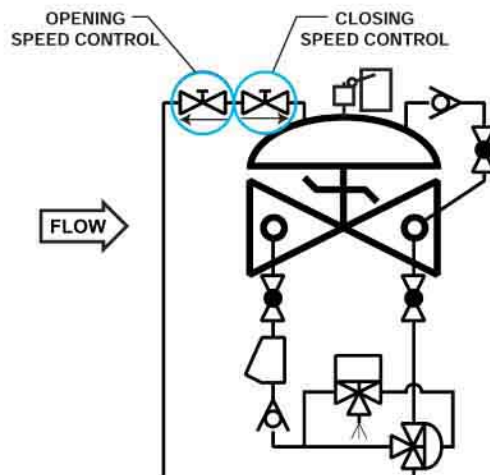
Restricted flow is in the direction of the flow arrow on the body.

MODEL 141-3 MATRIX

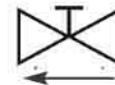
MATERIAL	PART NUMBER	INLET/OUTLET (NPT)	A	USED ON VALVE SIZE*
Brass	682100	1/4	2 3/8	1 1/4"-2"
Brass	682101	3/8	2 3/4	2 1/2"-6"
Brass	682102	1/2	3 1/4	8"-10"
Brass	682103	3/4	3 7/8	12"-16"
Stn. Steel	682700	1/4	2 3/8	1 1/4"-2" Stn.
Stn. Steel	682701	3/8	2 3/4	2 1/2"-6"
Stn. Steel	682702	1/2	3 1/4	8"-10"
Stn. Steel	682703	3/4	3 5/8	12"-16"

Note: Flow control valve use and size may vary on valve application. Consult factory.

SCHEMATIC SYMBOL

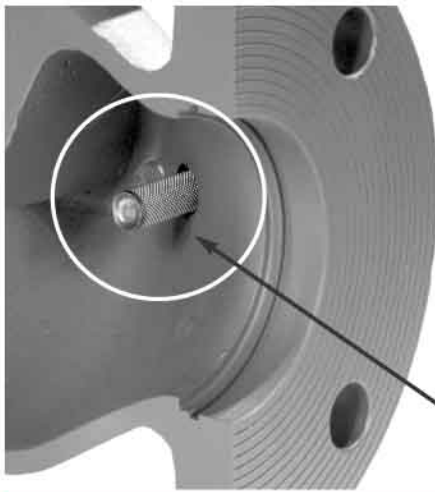


The Model 141-3 Flow Control Valve is shown on OCV Valve Schematics as:



EXAMPLE: Shown here on a MODEL 125 Pump Control Valve as separate opening and closing speeds.

DESCRIPTION



The 123 Inline Strainer installs in the inlet side port of the main valve, and protects the pilot system from solid contaminants in the line fluid. The screen prevents the entrance of particles into the pilot system piping while flow through the main valve washes the screen clean. Recommended use on petroleum valve applications where flushing or removal of the screen for cleaning is not practical or may be considered hazardous.

← Strainer Shown Installed

DIMENSIONS

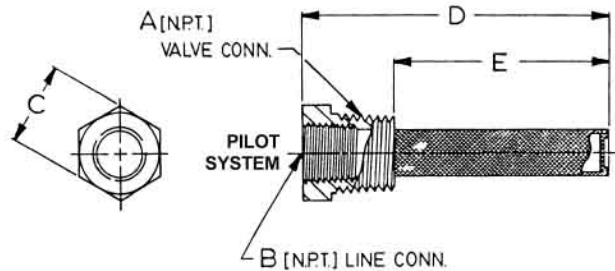
PART NUMBER	A	B	C	D	E	USED ON VALVE SIZE
660704	3/8	1/4	11/16	2 3/16	1 1/2	1 1/4"-6"
660705	1/2	3/8	7/8	2 1/4	1 1/2	8"-10"
660706	3/4	1/2	1 1/8	2 3/8	1 1/2	12"-16"

MATERIALS

Inline strainers are all-stainless steel construction.

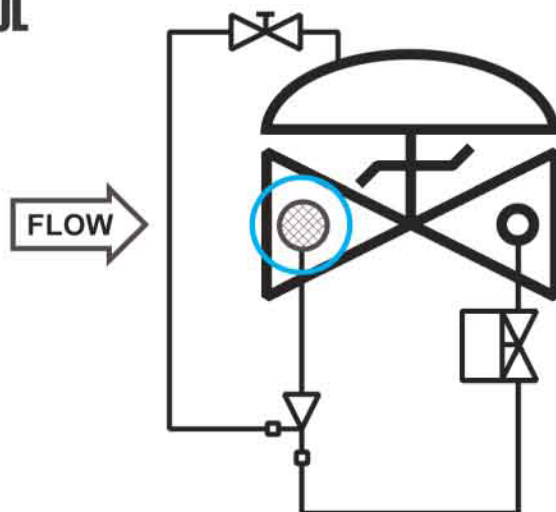
SCREEN SIZE

Standard screen is 40 mesh. Other mesh sizes are available.



SCHEMATIC SYMBOL

The Model 123 Inline Strainer is shown on OCV Valve Schematics as:



EXAMPLE: Shown here on a MODEL 115-2 Solenoid Valve.

DESCRIPTION

The Model 155L Visual Indicator is a device that enables the user to determine the extent of opening of a control valve. It consists of an adaptor threaded into the valve bonnet, a rod threaded into the main valve stem, a sealed Pyrex sight glass, and a protective aluminum housing. The indicator rod moves as the valve opens and closes. The 155L may be installed on virtually any OCV control valve, and can be done so without any disassembly of the valve itself. Since the assembly is not sealed from the diaphragm chamber of the main valve, it provides a convenient point for bleeding air via the 1/8" NPT port located at the top of the sight glass.

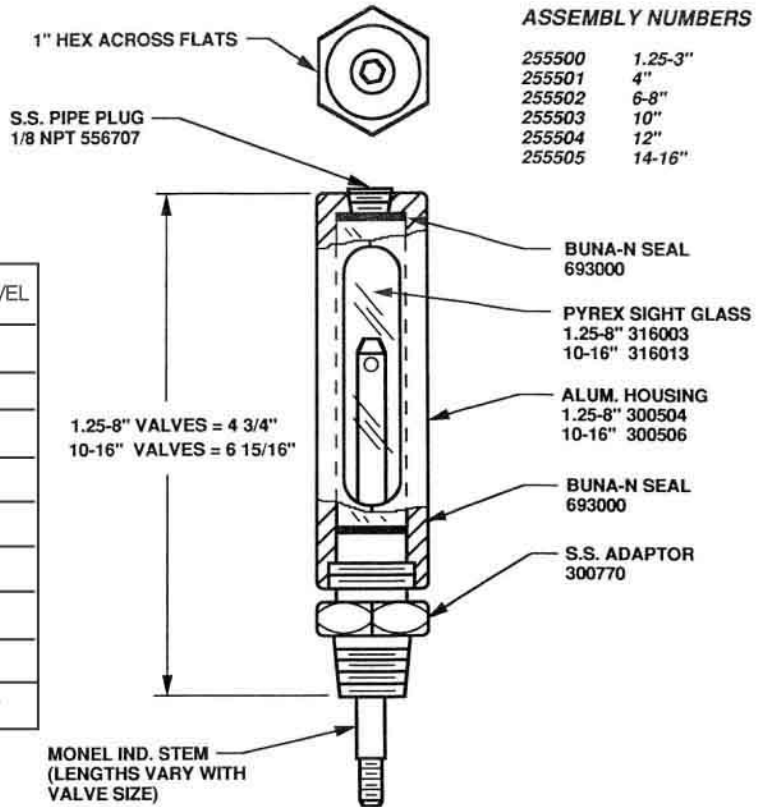
WHERE USED - The 155L is the standard visual indicator on fuel service valves. Optional on virtually any control valve not already employing a limit switch or position transmitter.



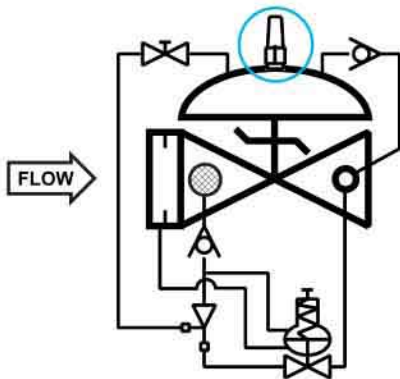
MODEL 155L MATRIX

MATERIAL	PART NO.	VALVE TRAVEL
1 1/4" - 1 1/2"	255500	3/8"
2"	255500	1/2"
2 1/2"	255500	3/4"
3"	255500	1"
4"	255501	1 3/8"
6" - 8"	255502	1 1/2" - 2"
10"	255503	2 1/2"
12"	255504	3"
14" - 16"	255505	3 1/2", 4"

MAX WORKING PRESSURE: 300 PSI



SCHEMATIC SYMBOL



The Model 155L is shown on OCV Valve schematics as:



EXAMPLE: Shown here on a Model 120-6 Rate of Flow / Check Valve.

MATERIALS

- | | |
|--------------------|-----------------|
| Indicator Rod: | Monel |
| Adapter: | Stainless Steel |
| Housing: | Aluminum |
| Sight Glass: | Pyrex |
| Sight Glass Seals: | Buna-N |

Valve Position Indicator (Liquid Filled) 155L