

## Float Pilots



General representation



Fueling



Aviation  
Fueling

## Interface Float Pilot – Bottom Mounted

### Description

The OCV 800H is a bottom-mounted filter separator float that allows only the discharge of clean, water-free fuel from the filter separator. The three models are as follows:

Model	Part Number (without water drain)	Flange Material	Pilot/Float Assembly
800H-4MT	230244	Bronze	Stainless Steel
800H-5MT	230044	Ductile Iron, Epoxy-Coated	Stainless Steel
800H-8MT	230544	Aluminum	Stainless Steel

### Operation

Actuating the manual tester will raise the float to the median or up positions, confirming the proper operation of the pilot, slug valve, and/or the water drain valve.

The float of the OCV 800H is counterweighted so that it will float in water, but sink in fuel. Depending on the water level in the filter separator, the OCV 800H actuates the other control components in the system as follows:

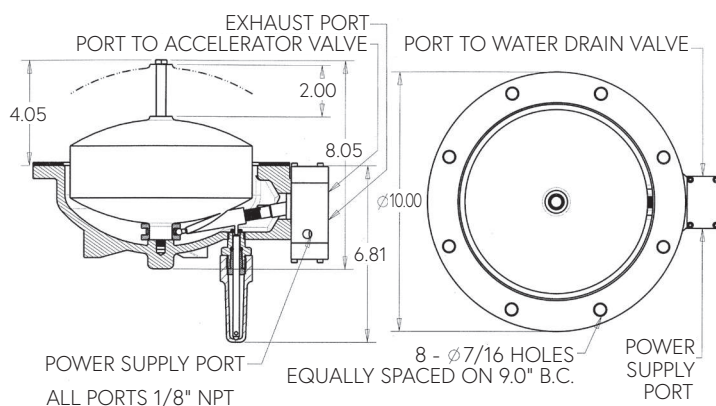
Float Position	Discharge (Slug) Valve	Water Drain Valve (if equipped)
Down (no water)	Open	Closed
Median (rising water)	Open	Open
Up (high water)	Closed	Open

### Certification & Compliance



### Features & Benefits

- Bottom-mount flange (10" diameter)
- Low profile float
- Ideal for limited vertical clearance inside filter separator
- Integral water drain valve optional
- Pilot float "rides" the interface between water and fuel
- Four-way control to actuate discharge slug valve and/or automatic water drain valve
- Stainless Steel pilot and float assembly
- Uses time-proven 800 pilot block (see Model Sheet 800)
- Stainless Steel pilot and float assembly (no red metals)
- Manual tester standard
- Factory tested



Aquestia Ltd. reserves the right to make product changes without prior notice. To ensure receiving updated information on parts specifications, please contact us at [usa@aquestia.com](mailto:usa@aquestia.com). Aquestia Ltd. shall not be held liable for any errors. All rights reserved.