



▲ High Level Shut-Off Valve  
 Sizes: 6" - 24" (DN150-DN600)



The Model 8104 is applicable anywhere it is necessary to automatically control the high level in storage tanks where the float pilot can be mounted inside the tank.

## SERIES FEATURES

- ▶ Allows tank filling and shuts off on high level
- ▶ Remote-mounted float pilot (inside tank)
- ▶ Two field-installed lines between valve and float pilot
- ▶ Can be maintained without removal from the line
- ▶ Adjustable response speed
- ▶ Manual tester available on float pilot
- ▶ Factory tested and can be pre-set to your requirements

## OPERATION

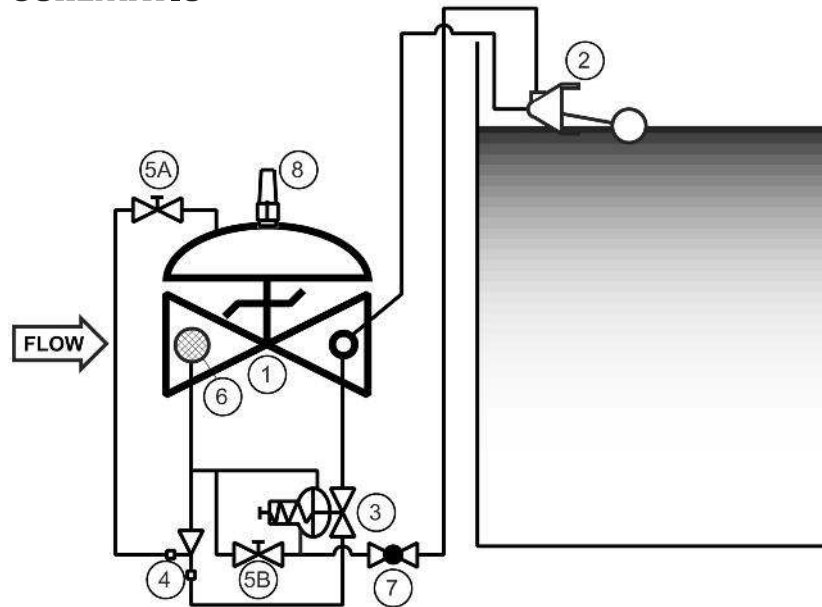
The Model 8104 is designed for tank fill only. A rotary, float-activated pilot controls the position of the normally closed relay pilot which in turns controls the position of the main valve. With the float in the full down position, the relay pilot is wide open, along with the main valve. When fluid level raises the float to the high level position, flow is blocked, closing the relay pilot and the main valve.

## COMPONENTS

The Model 8104 consists of the following components, arranged as shown on the schematic diagram:

- 1.) Model 65 Basic Control Valve (fail closed)
- 2.) Two-Way Float Pilot
- 3.) Differential Control Pilot
- 4.) Ejector
- 5.) Needle Valve
- 6.) Inline Strainer
- 7.) Ball Valve
- 8.) Visual Indicator

## SCHEMATIC



## RECOMMENDED INSTALLATION

- ▶ Install the valve with adequate space above and around the valve to facilitate servicing. Refer to the Dimension Table.
- ▶ Shut-off valves should be installed upstream and downstream of the control valve. These are used to isolate the valve during start-up and maintenance.
- ▶ Install the float pilot inside the tank at the required high level and connect to main valve as shown on the diagram (1/2" O.D. tubing recommended).

## SIZING

While most Model 8104 Float Valves are line size, there are two factors to check. First, to avoid using a valve that is too small, flow rate should be limited to a maximum of 7.5 meters/second velocity. Second, using a valve that is too large can result in the loss of inlet pressure, which is needed to close the valve at high level. Definitive sizing information can be found in the OCV catalog, Series 8100 section, the Engineering Section Performance Charts, or at [www.controlvalves.com](http://www.controlvalves.com). Consult the factory for assistance.

SIZE, DN	150	200	250	300	350	400	600
MIN FLOW, M <sup>3</sup> /HR	100	175	280	400	480	625	1420
MAX FLOW, M <sup>3</sup> /HR	510	890	1400	1980	2390	3140	7100

# Model 8104 (Aviation Fueling) METRIC



## SIZES

Globe or Angle  
Grooved Ends - 6" (globe) (DN150)  
6" (angle) (DN150)  
Flanged Ends - 6" - 24" (globe);  
(DN150 thru DN600)  
6" - 16" (angle)  
(DN150 thru DN400)

For smaller valve sizes, refer to Model 8101.

## MAX. WORKING PRESSURE

(at 100°F/37.78°C)  
Maximum pressure on all materials and end connections is limited to 17 bar by the float pilot.

## FLUID OPERATING TEMPERATURE RANGE

Buna-N -40°C to 82.22°C  
Viton -6.67°C to 110°C  
Fluorosilicone -40°C to 65.56°C  
EPDM -17.78°C to 110°C

## MATERIALS

(Consult factory for others)

### Body/Bonnet:

-Ductile Iron (epoxy coated), Carbon Steel (epoxy coated), Stainless Steel, Aluminum

### Seat Ring:

Stainless Steel, Bronze

### Stem:

Stainless Steel, Monel

### Spring:

Stainless Steel

### Diaphragm:

Buna-N, Viton  
(Nylon reinforced)

### Seat Disc:

Buna-N, Viton

### Pilot:

Stainless Steel, Bronze

### Other pilot system

components: Stainless Steel, Bronze/Brass

### Tubing & Fittings:

Stainless Steel, Copper/Brass

## SPECIFICATIONS (Typical Aviation Fueling Application)

The high level shut-off valve shall be installed on the inlet line to the tank and shall close when the high level is reached. The high level shut-off valve shall include a simple, two-way, non-adjustable float pilot to be installed in the tank at the desired tank level and be connected to the main valve by two, customer-installed sense lines.

### DESIGN

The high level shut-off valve shall be a single-seated, line pressure operated, diaphragm actuated, pilot controlled globe valve. The valve shall seal by means of a corrosion-resistant seat and a resilient, rectangular seat disc. These, and other parts, shall be replaceable without removing the valve from the line. The stem of the main valve shall be guided top and bottom by integral bushings. Alignment of the body, bonnet and diaphragm assembly shall be by precision dowel pins. The diaphragm shall not be used as a seating surface, nor shall the pistons be used as an operating means. The pilot system shall include a relay pilot, a speed control, in-line strainer and an isolation ball valve. The float pilot shall be furnished separately for remote mounting in the tank. The high level shut-off valve shall be operationally and hydrostatically tested prior to shipment.

### MATERIALS OF CONSTRUCTION

The main valve body and bonnet shall be ductile iron. All ferrous surfaces shall be coated with 4 mils of epoxy. The main valve seat ring shall be stainless steel. Elastomers (diaphragms, resilient seats and O-rings) shall be Buna-N. The float pilot shall be stainless steel as shall the the 5" spherical float, relay pilot, pilot system accessories and control line tubing.

### OPERATING CONDITIONS

The high level shut-off valve shall be suitable for a maximum flow rate of <X> m3/hr at inlet pressures ranging from <X to X> bar.

### ACCEPTABLE PRODUCTS

The high level shut-off valve shall be a <size> Model 8104, <globe pattern, angle pattern>, with <150# flanged, 300# flanged, grooved> end connections, as manufactured by OCV Control Valves, Tulsa, Oklahoma, USA.

METRIC DIMENSIONS - M.M.

DIM	END CONN.	DN150	DN200	DN250	DN300	DN350	DN400	DN600
A	SCREWED	--	--	--	--	--	--	--
	GROOVED	508	--	--	--	--	--	--
	150# FLGD	451	645	756	864	991	1026	1575
	300# FLGD	473	670	791	902	1029	1067	1619
C	SCREWED	--	--	--	--	--	--	--
	GROOVED	--	--	--	--	--	--	--
	150# FLGD	254	322	378	432	--	529	--
	300# FLGD	267	335	395	451	--	549	--
D	SCREWED	--	--	--	--	--	--	--
	GROOVED	--	--	--	--	--	--	--
	150# FLGD	152	203	289	279	--	398	--
	300# FLGD	165	216	306	298	--	419	--
E	ALL	254	302	391	432	457	483	686
F	ALL	98	162	162	162	162	162	203
H	ALL	330	356	432	457	508	508	724

\*GROOVED END NOT AVAILABLE IN DN32

\*\*Note: for military fueling valves, 6" (DN150) 150# flanges have 20" (20 mm) face to face dimensions and 6" (DN150) 300# flanges have 21" (533.4 mm) face to face dimensions.

## CE Markings

Applies to fuel valves installed in the European Union in accordance with the Pressure Equipment Directive, 97/23/EC  
CE-marked valves are available in LCB steel and CF8M stainless steel only  
OCV is registered to the PED through Det Norske Veritas  
The following valves will be CE-marked:

- 6" (DN150) and larger valves, 150# and 300# class, liquid fuel only

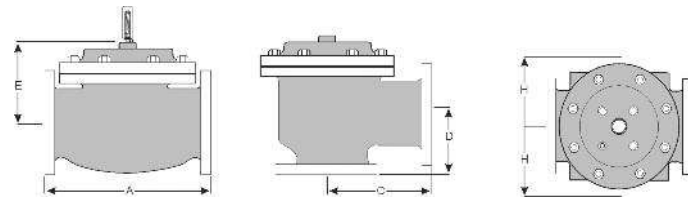
For maximum efficiency, the OCV control valve should be mounted in a piping system so that the valve bonnet (cover) is in the top position. Other positions are acceptable but may not allow the valve to function to its fullest and safest potential. In particular, please consult the factory before installing 8" (DN200) and larger valves, or any valves with a limit switch, in positions other than described. Space should be taken into consideration when mounting valves and their pilot systems.

A routine inspection & maintenance program should be established and conducted yearly by a qualified technician. Consult our factory @ 1-918-627-1942 for parts and service.

## When ordering your 8104 valve,

please provide:

Fluid to be controlled - Model Number - Size - Globe or Angle End  
Connection - Body Material Trim Material - Pilot Options  
Special Requirements / Installation Requirements



QUALITY SYSTEM  
REGISTERED TO  
ISO 9001

phone: (918)627.1942 ● fax: (918)622.8916 ● 7400 East 42nd Place, Tulsa, Oklahoma 74145  
email: sales@controlvalves.com ● website: www.controlvalves.com