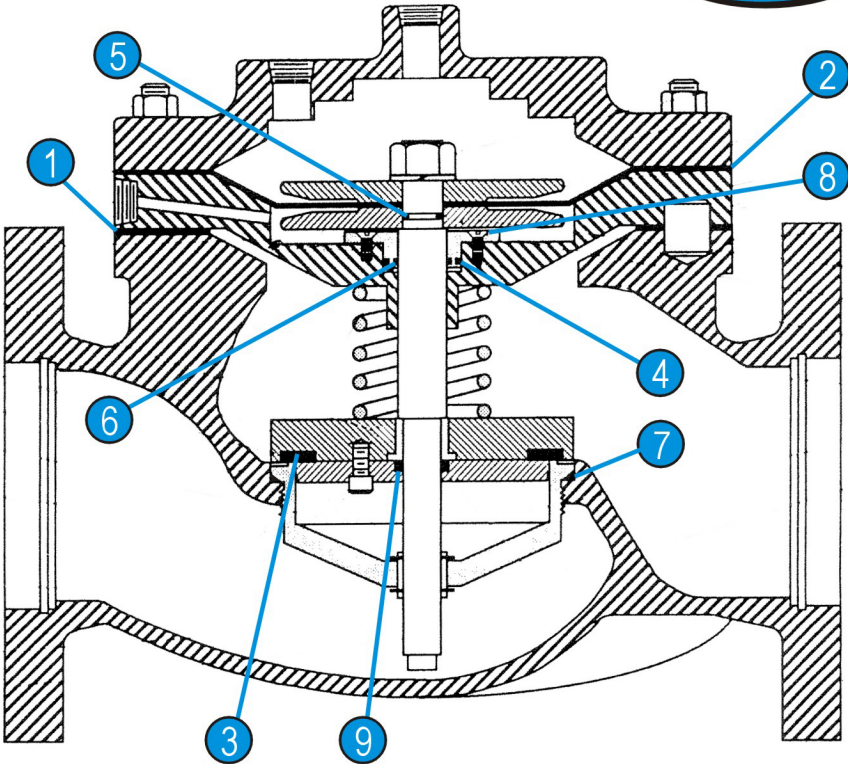


**Repair Parts Kit-Buna
 Power Actuated Valve with Lift Check Assembly**

Part Number: 906015
 For: 10" 1800 Repair Kit

ITEM	INCLUDED	PART#	QTY	DESCRIPTION	MATERIAL
1		693015	1	GASKET	Buna-N
2		690016	1	DIAPHRAGM	Buna-N
3		690505	1	SEAT DISC	Buna-N
4		610227	1	'O' RING	Buna-N
5		610218	1	'O' RING	Buna-N
6		611327	1	'O' RING	Viton
7		610277	1	'O' RING	Buna-N
8		630721	1	SNAP RING	S.S.
9		610324	1	'O' RING	Buna-N



ITEM	PART#	QTY	DESCRIPTION	MATERIAL
1	693015	1	GASKET	Buna-N
2	690016	1	DIAPHRAGM	Buna-N
3	690505	1	SEAT DISC	Buna-N
4	610227	1	'O' RING	Buna-N
5	610218	1	'O' RING	Buna-N
6	611327	1	'O' RING	Viton
7	610277	1	'O' RING	Buna-N
8	630721	1	SNAP RING	S.S.
9	610324	1	'O' RING	Buna-N