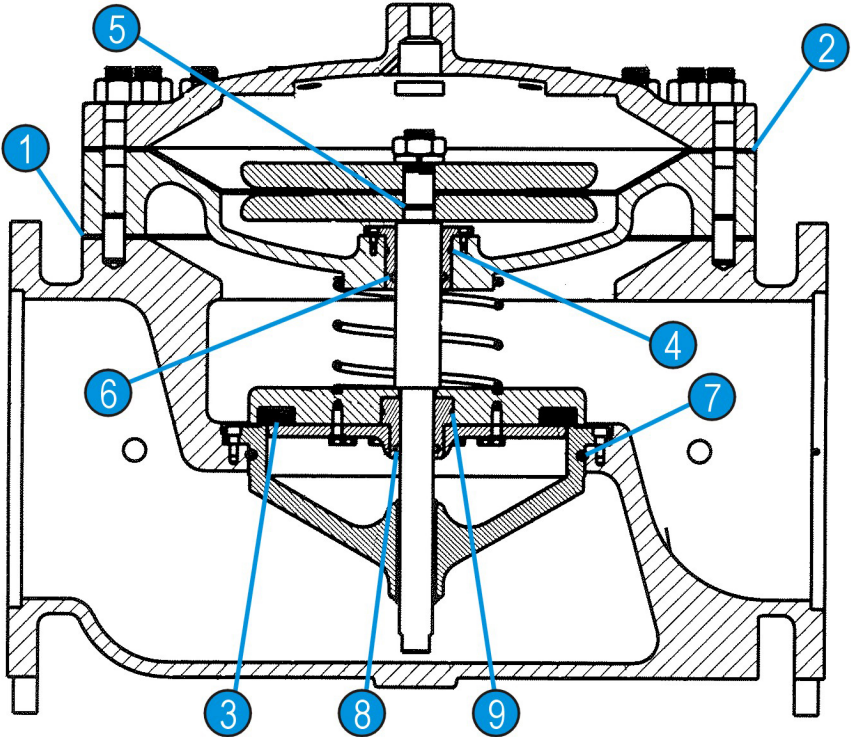


**Repair Parts Kit-Buna
 Power Actuated Valve with Lift Check Assembly**

Part Number: 906027
 For: 12" 1575 Repair Kit

ITEM	INCLUDED	PART#	QTY	DESCRIPTION	MATERIAL
1		693007	1	GASKET	Buna-N
2		690017	1	DIAPHRAGM	Nylon/Buna-N
3		690539	1	SEAT DISC	Buna-N
4		610230	1	'O' RING	Buna-N
5		610121	1	'O' RING	Buna-N
6		610328	1	'O' RING	Buna-N
7		610456	1	'O' RING	Buna-N
8		610324	1	'O' RING	Buna-N
9		610232	1	'O' RING	Buna-N



ITEM	PART#	QTY	DESCRIPTION	MATERIAL
1	693007	1	GASKET	Buna-N
2	690017	1	DIAPHRAGM	Nylon/Buna-N
3	690539	1	SEAT DISC	Buna-N
4	610230	1	'O' RING	Buna-N
5	610121	1	'O' RING	Buna-N
6	610328	1	'O' RING	Buna-N
7	610456	1	'O' RING	Buna-N
8	610324	1	'O' RING	Buna-N
9	610232	1	'O' RING	Buna-N