



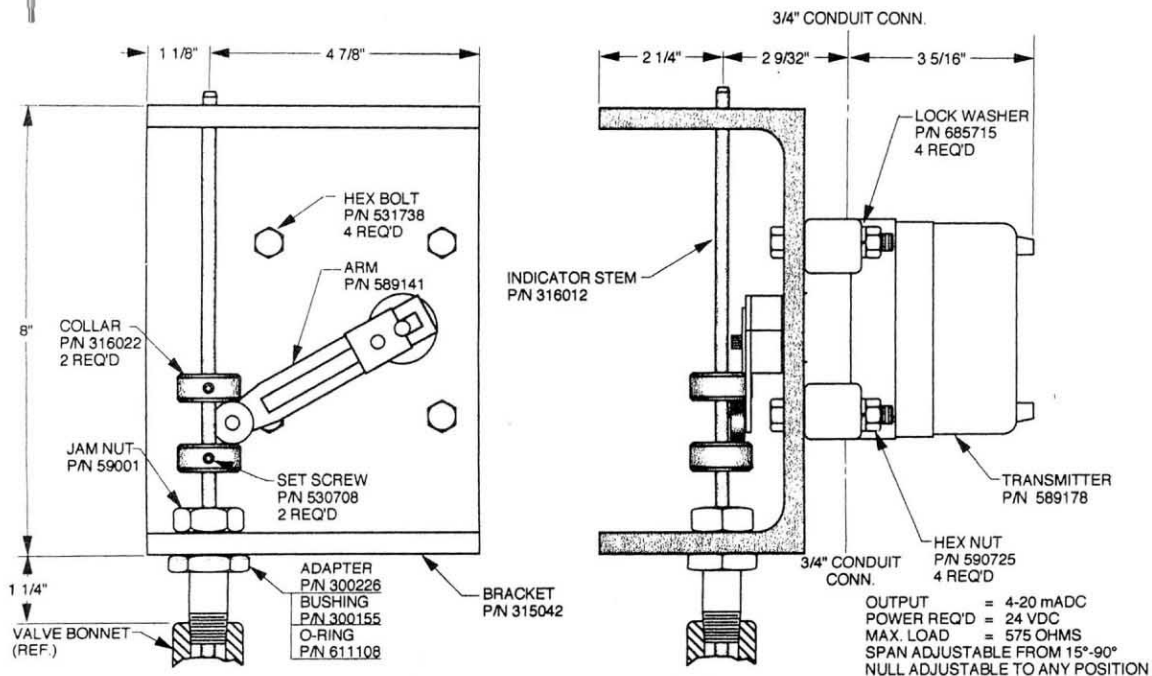
DESCRIPTION

MODEL 160 POSITION TRANSMITTER

- Provides 4-20mA signal, proportional to valve position.
- Installed without disassembly of valve.
- Enclosure is weatherproof and explosion-proof.
- Available with dual SPDT or DPDT limit switches.

The Model 160 Position Transmitter is a device that uses movement of the valve stem to provide a 4-20mA analog signal proportional to the valve position. The signal increases as the valve opens. It consists of an adaptor threaded into the center port of the valve bonnet, a rod threaded into the main valve stem, a stem seal, actuating collars, and the transmitter unit. The unit requires a 24 - 40 VDC, user-furnished, power supply. It may be installed on virtually any OCV control valve, and can be done so without any disassembly of the valve itself.

MODEL 160 DIMENSIONS



VOLTAGE REQUIREMENT: 24 - 40 VDC (by user)

ANALOG OUTPUT: 4-20 mA into maximum 575 ohm load with 24 VDC power supply

CONNECTION: Two-wire current loop.

ELECTRICAL RATING - OPTIONAL SWITCHES

SPDT: 15 amps @ 125-480 VAC
1/2 amp @ 125 VDC, 1/4 amp @ 250 VDC

DPDT: 10 amps @ 125-250 VAC
0.3 amp @ 125 VDC, 0.15 amp @ 250 VDC

MATERIALS

Indicator Rod: Monel
Adapter: Stainless Steel
Collars: Stainless Steel
Mounting Bracket: Aluminum

NOTE: Factory recommended valve installation should allow for indicator rod to be in the vertical position.

TOLL FREE 1.888.628.8258 ● phone: (918)627.1942 ● fax: (918)622.8916 ● 7400 East 42nd Place, Tulsa, OK 74145
email: sales@controlvalves.com ● website: www.controlvalves.com

Global performance. Personal touch.

Position Transmitter 160