

DESCRIPTION



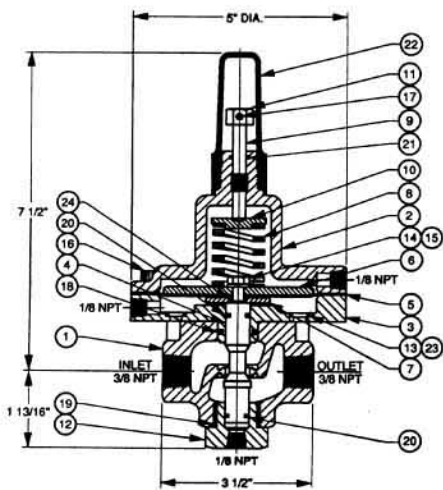
- MODEL 2450 RATE OF FLOW PILOT (Differential Pressure Type)**
- Normally open, increasing differential closes
 - Simple adjustment
 - Large diaphragm area for sensing small changes in differential pressure
 - Dual chamber, hydraulically balanced for accurate control
 - Bronze or stainless steel construction
 - All parts replaceable while mounted on valve

The Model 2450 is a two-way, normally open pilot that senses the differential pressure across an orifice plate; high pressure under its diaphragm and low pressure above the diaphragm. The orifice plate differential is proportional to the flow rate through it. The pilot balances the differential against an adjustable spring load. An increase in differential, hence rate of flow, above the spring set point tends to make the pilot close.

The Model 2450 is the standard pilot for OCV Series 120 Rate of Flow Control Valve. Sensing the differential across the valve's integral orifice plate, the pilot modulates the main valve to regulate or limit the required rate of flow.

MODEL 2450 MATRIX

MATERIAL	PART NUMBER	INLET/OUTLET (NPT)	USED ON VALVE SIZE
Bronze, Buna-N	230105	3/8	1 1/4"-6"
Bronze, Buna-N	230116	1/2	8"-16"
Strn. Steel, Buna-N	230705	3/8	1 1/4"-6"
Strn. Steel, Buna-N	230716	1/2	8"-16"



- Model 2450 Differential Pilot:
- | | |
|---------------------|---------------------|
| 1. Body | 12. Plug |
| 2. Adaptor | 13. Flat HD Screw |
| 3. Bonnet | 14. Hex HD Capscrew |
| 4. Stem | 15. Lock Washer |
| 5. Diaphragm | 16. SKT HD Capscrew |
| 6. Upper Diaphragm | 17. Set Screw |
| 7. Lower Diaphragm | 18. O-Ring |
| 8. Spring | 19. O-Ring |
| 9. Adjusting Screw | 20. O-Ring |
| 10. Spring Retainer | 21. O-Ring |
| 11. Drive Adaptor | 22. Cap |
| | 23. O-Ring |
| | 24. O-Ring |

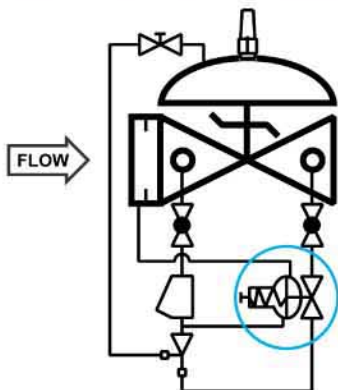
MATERIALS

Bronze B61, Stainless Steel ASTM A743/CF8-M, Elastomers (diaphragm, seat disc, o-rings), Buna-N (Std.), Viton® (Opt.), EPDM (Opt.)
 Viton is a registered trademark of DuPont Dow Elastomers

MAINTENANCE

Rubber components are typically the only parts that may require periodic replacement. These are available in kits consisting of the diaphragm and all O-rings. Buna-N Kit-Part # 930005, Viton® Kit-Part # 930105, EPDM Kit-Part # 930405

SCHEMATIC SYMBOL



The Model 2450 is shown on OCV Valve Schematics as:



EXAMPLE: Shown here on a MODEL 120 Rate of Flow