



MODEL SHOWN:
ASCO 8344G0M0

DESCRIPTION

MODEL FOUR-WAY SOLENOID

- Provides On/Off (Open/Close) control of main valve.
- Interfaces valve operation with timer, relays, probes, etc.
- Manual Override operation available.
- Weatherproof or Explosion proof enclosures.
- Voltages in AC or DC
- Four ports allow for energize to open or close valve.

The four-way solenoid is a valve that shifts position depending upon the electrical state of the coil. The body is equipped with four ports; Supply, Exhaust and two Operating Ports. In one position the solenoid pressures one operating port while venting the other. In the other position the pressurization/venting of the two ports is reversed. The four-way solenoid is therefore ideal for electrically actuating any of the OCV Power Actuated Valves, e.g., OCV Model 125-27 Pump Control Valve and Model 126 Deep Well Control Valve.

Operating Ports. In one position the solenoid pressures one operating port while venting the other. In the other position the pressurization/venting of the two ports is reversed. The four-way solenoid is therefore ideal for electrically actuating any of the OCV Power Actuated Valves, e.g., OCV Model 125-27 Pump Control Valve and Model 126 Deep Well Control Valve.

AVAILABLE VOLTAGES

AC, 60Hz.	24, 120, 240, 480 Volts
AC, 50Hz.	110, 220, 440, Volts
DC	6, 12, 24, 125, 240 Volts

ENCLOSURES

General Purpose NEMA 1, 2, 3, 3S, 4, 4X
Explosion Proof NEMA 1, 2, 3, 3S, 4, 4X, 6, 6P, 7, 9

BODY MATERIAL:

Brass (standard) Stainless Steel - consult factory

Note:
Specifications stated subject to change depending on solenoid selected per application. Consult factory.

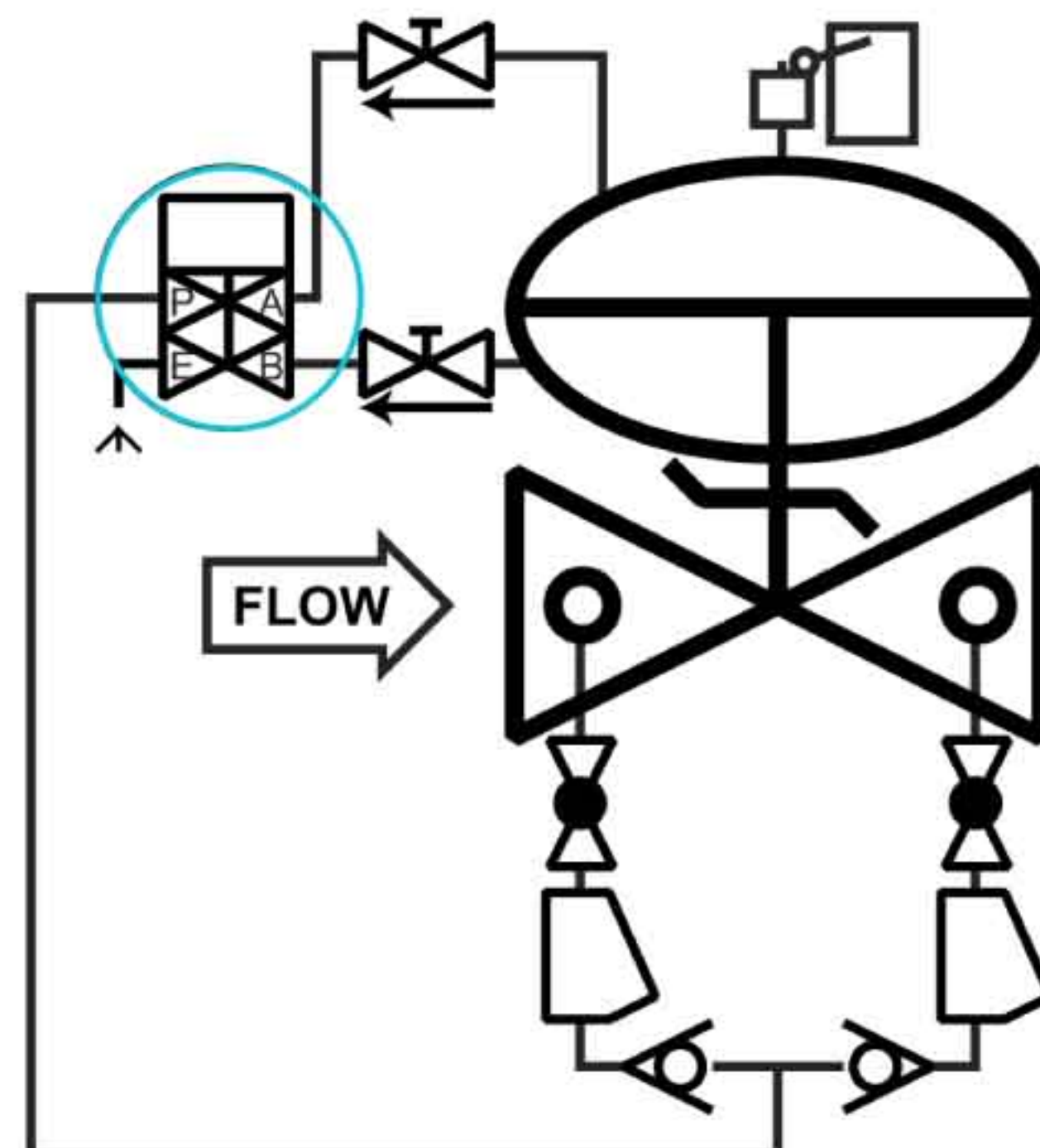
Information Required:
Voltage, actuation (energize to open or close), enclosure, working pressure, control fluid, valve function and size.

SCHEMATIC SYMBOL

The four-way solenoid is shown on OCV Valve Schematic as:



EXAMPLE: Shown here on a Model 125-27 Pump Control Valve



Four-Way Solenoid