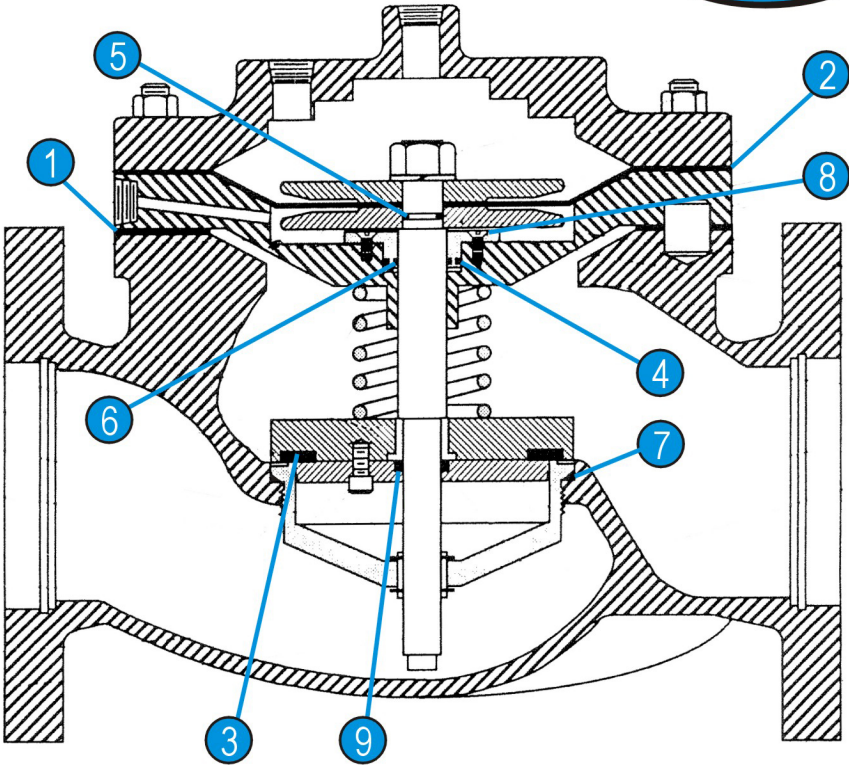


Repair Parts Kit-Buna
Power Actuated Valve with Lift Check Assembly

Part Number: 906016
 For: 12" 1500 Repair Kit

ITEM	INCLUDED	PART#	QTY	DESCRIPTION	MATERIAL
1		693007	1	GASKET	Buna-N
2		690017	1	DIAPHRAGM	Buna-N
3		690506	1	SEAT DISC	Buna-N
4		610145	1	'O' RING	Buna-N
5		610121	1	'O' RING	Buna-N
6		610328	1	'O' RING	Buna-N
7		610456	1	'O' RING	Buna-N
8		630703	1	RETAINING RING	S.S.
9		610324	1	'O' RING	Buna-N



ITEM	PART#	QTY	DESCRIPTION	MATERIAL
1	693007	1	GASKET	Buna-N
2	690017	1	DIAPHRAGM	Buna-N
3	690506	1	SEAT DISC	Buna-N
4	610145	1	'O' RING	Buna-N
5	610121	1	'O' RING	Buna-N
6	610328	1	'O' RING	Buna-N
7	610456	1	'O' RING	Buna-N
8	630703	1	RETAINING RING	S.S.
9	610324	1	'O' RING	Buna-N