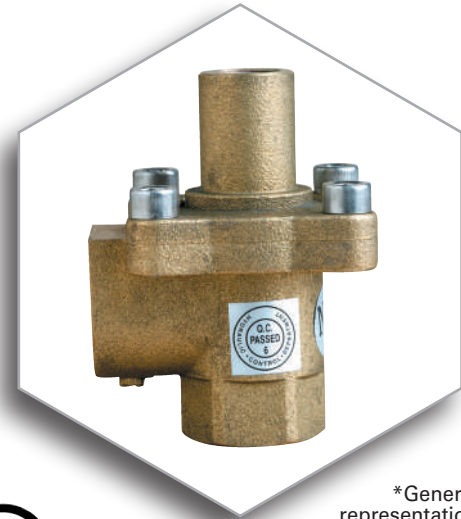


RC 28-200

2-Way Relay

A 2-Way, hydraulically operated, diaphragm actuated relay valve, applicable for service on deluge and pre-action valve trims. The RC 28-200 is designed to meet the requirements of hydraulic valve control trims, particularly when a fast reaction is required. When the pressure command is removed, the pressure in the RC 28-200 relay drops, causing it to open and allowing the water to drain from the deluge valve's control chamber.



*General representation

CERTIFICATION & COMPLIANCE

- UL Listed when installed on OCV Fluid Solutions models



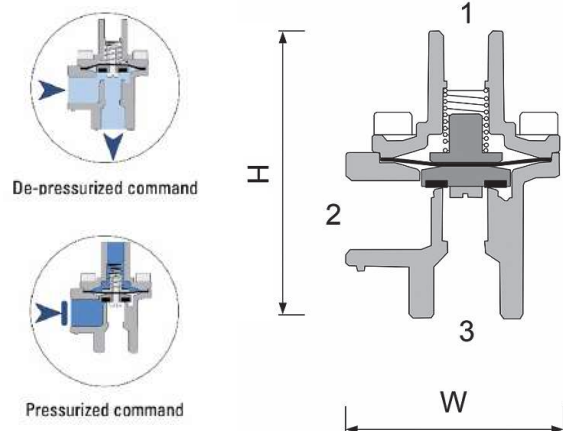
FEATURES & BENEFITS

- Extremely large water passages enable fast response
- Tough and durable construction

TECHNICAL DATA

GENERAL		
Pressure Rating	25 bar / 360psi	
Fluid Temperature	80°C max / 175°F max	
Weight	1.4 kg / 3.1 lbs	
MATERIALS	STANDARD	OPTIONAL*
Body & Bonnet	Brass	Stainless Steel
Internal Parts & Spring	Stainless Steel	---
Elastomers	EPDM	NBR
DIMENSIONS		
H (Height) max	76 mm / 3"	
W (Width)	56 mm / 2.20"	
PORT	SIZE	CONNECTION
1	1/4" NPT	Pressure Command
2	1/2" NPT	Vent
3	1/2" NPT	Control Chamber

*Other materials available upon request. Minimum quantities may apply.



OCV companies worldwide reserve the right to make changes without notice including product specification and configuration, content, description(s), dimensions etc. The information herein is subject to change without notice. OCV shall not be held liable for any errors. All rights reserved. © Copyright by OCV.

7400 East 42nd Place • Tulsa, Oklahoma 74145 • USA
Phone: 1-918-627-1942 • Toll Free: 1-888-OCV-VALV (628-8258) • Email: sales@controlvalves.com